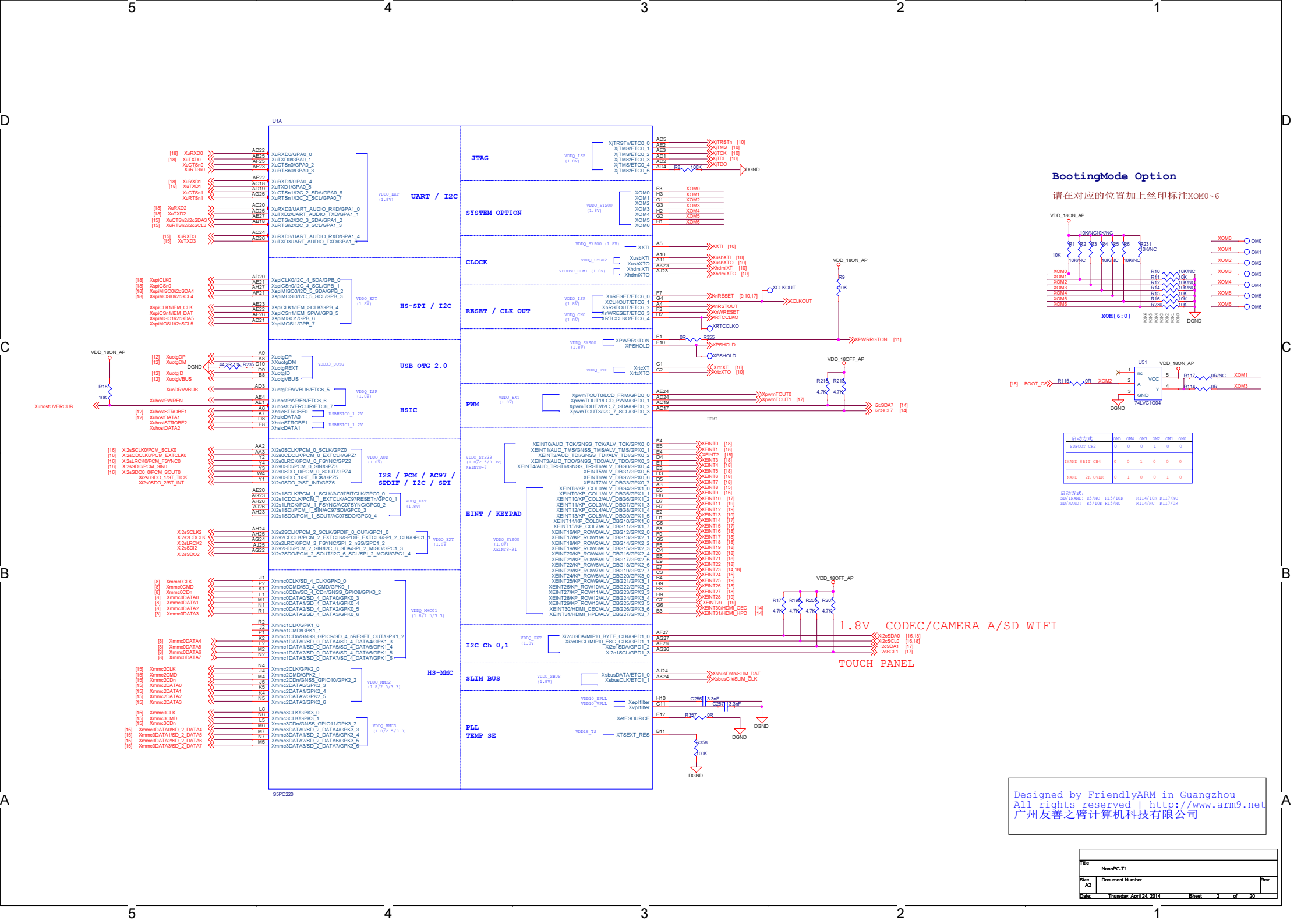


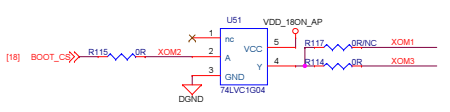
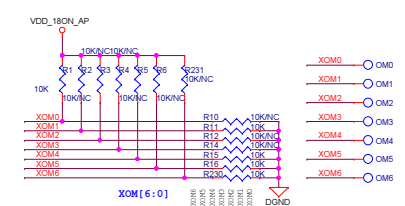
NanoPC-T1

Title	
NanoPC-T1	
Size	Document Number
A3	
Date:	Thursday, April 24, 2014
Sheet	1 of 20
Rev	



BootingMode Option

请在对应的位置加上丝印标注XOM0~6



启动方式	CS0	CS4	CS8	CS1	CS5	CS9
SD/BOOT	CS2	0	0	0	1	0
HAND	CS17	CS4	0	1	0	0
HAND	2K	OVER	0	1	0	0

启动方式: R5/N/C R5/10K R114/10K R117/N/C
SD/HAND: R5/10K R15/N/C R114/N/C R117/6K

1.8V CODEC/CAMERA A/SD WIFI

TOUCH PANEL

Designed by FriendlyARM in Guangzhou
All rights reserved <http://www.arm9.net>
广州友善之臂计算机科技有限公司

File	NanoPC-T1		
Ver	Document Number		Rev
Date	Thursday, April 24, 2014	Sheet	2 of 20

D

D

C

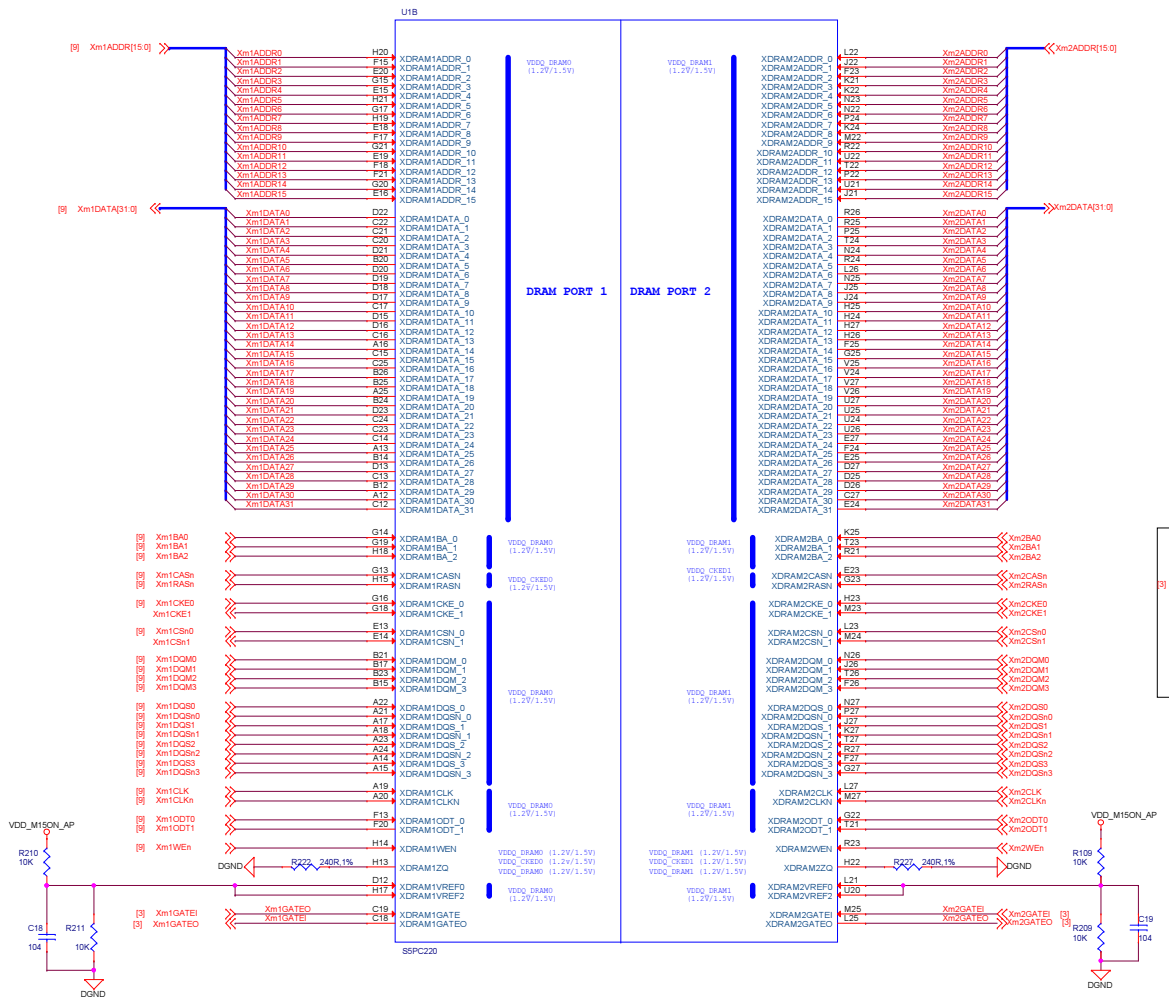
C

B

B

A

A

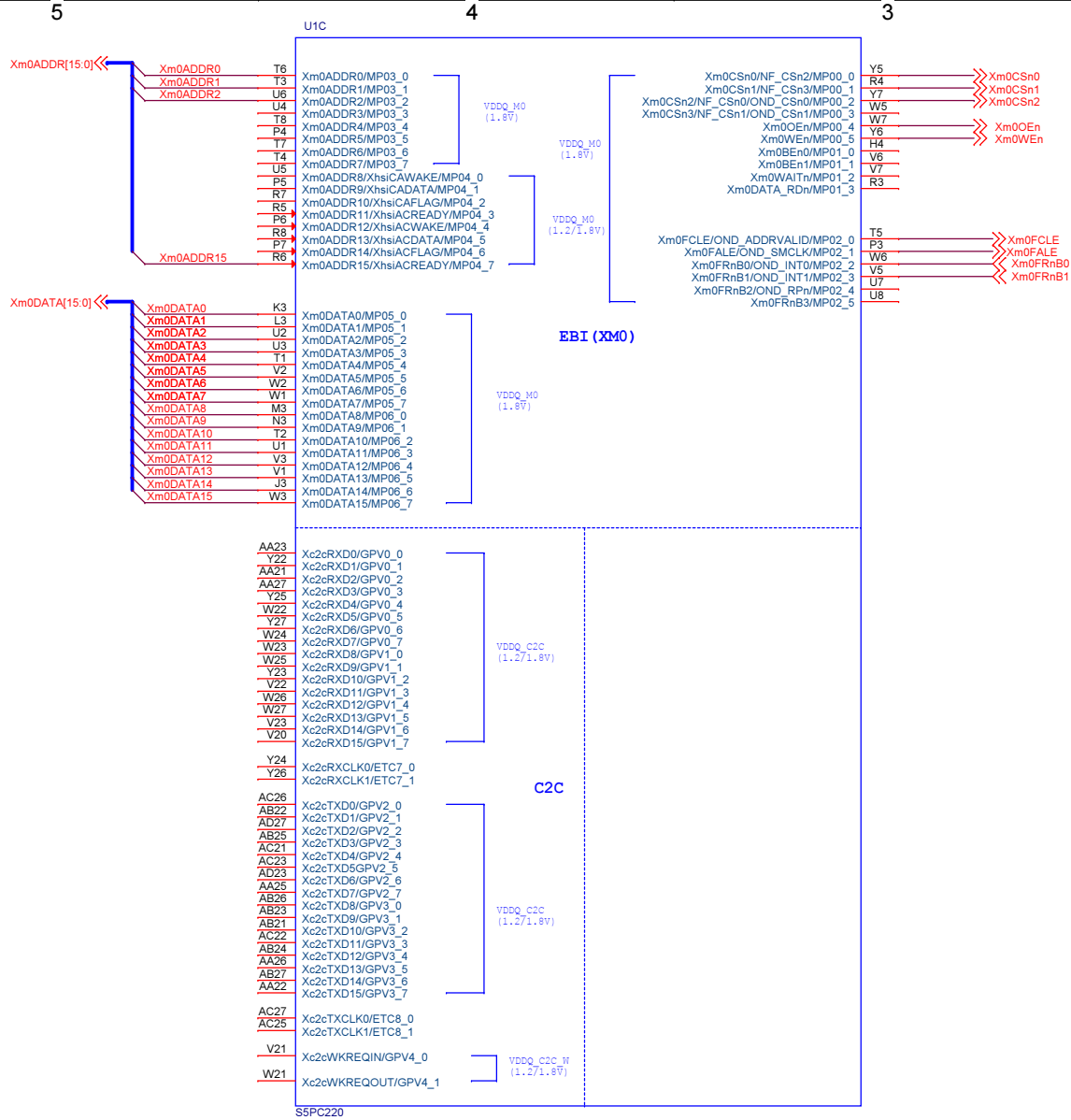


[3] Xm1GATEI << Xm1GATEI Xm1GATEO [3]
 线与clk等长

[3] Xm2GATEO << Xm2GATEO Xm2GATEI >> Xm2GATEI [3]
 线与clk等长

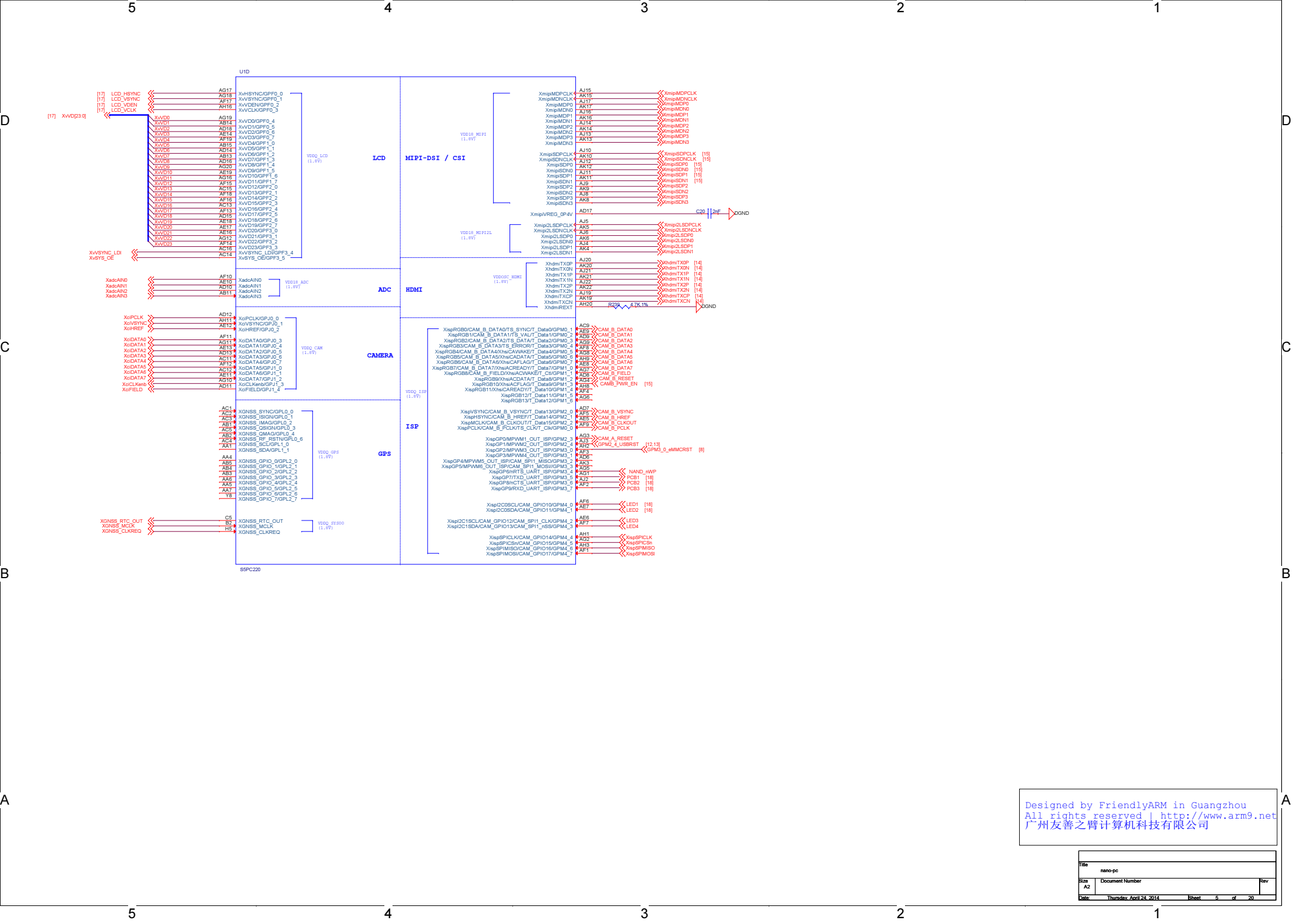
Designed by FriendlyARM in Guangzhou
 All rights reserved | http://www.arm9.net
 广州友善之臂计算机科技有限公司

File	NanoPC-T1		
Size	Document Number		Rev
AC			
Date	Thursday, April 24, 2014	Sheet	3 of 20



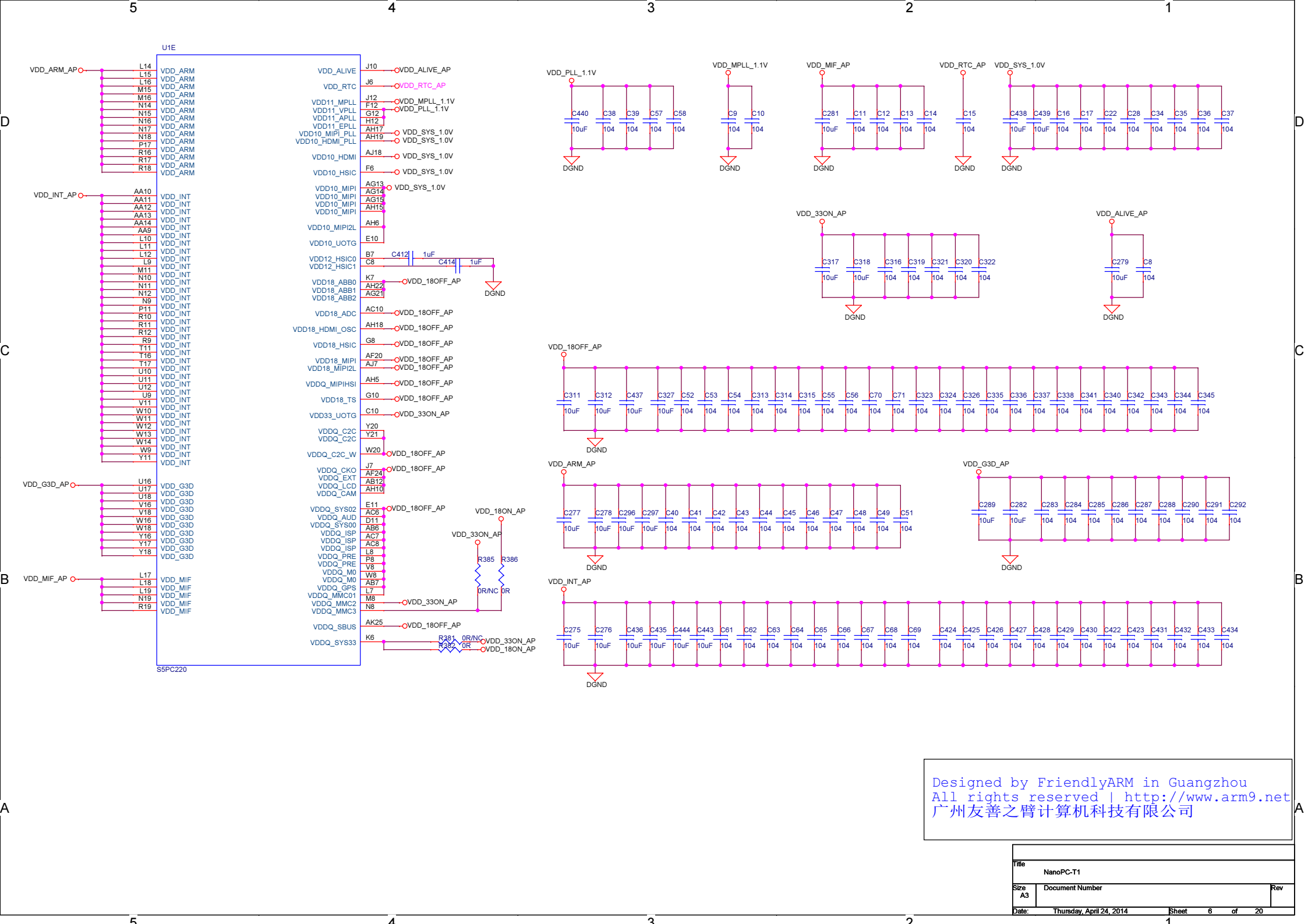
Designed by FriendlyARM in Guangzhou
 All rights reserved | <http://www.arm9.net>
 广州友善之臂计算机科技有限公司

Title		
NanoPC-T1		
Size	Document Number	Rev
A3	<Doc>	
Date:	Thursday, April 24, 2014	Sheet 4 of 20



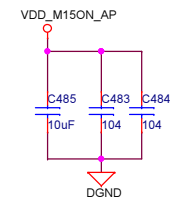
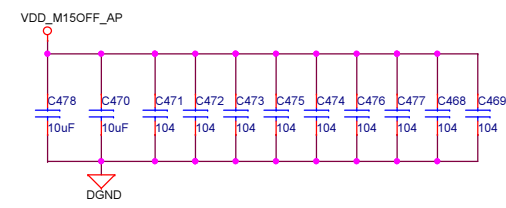
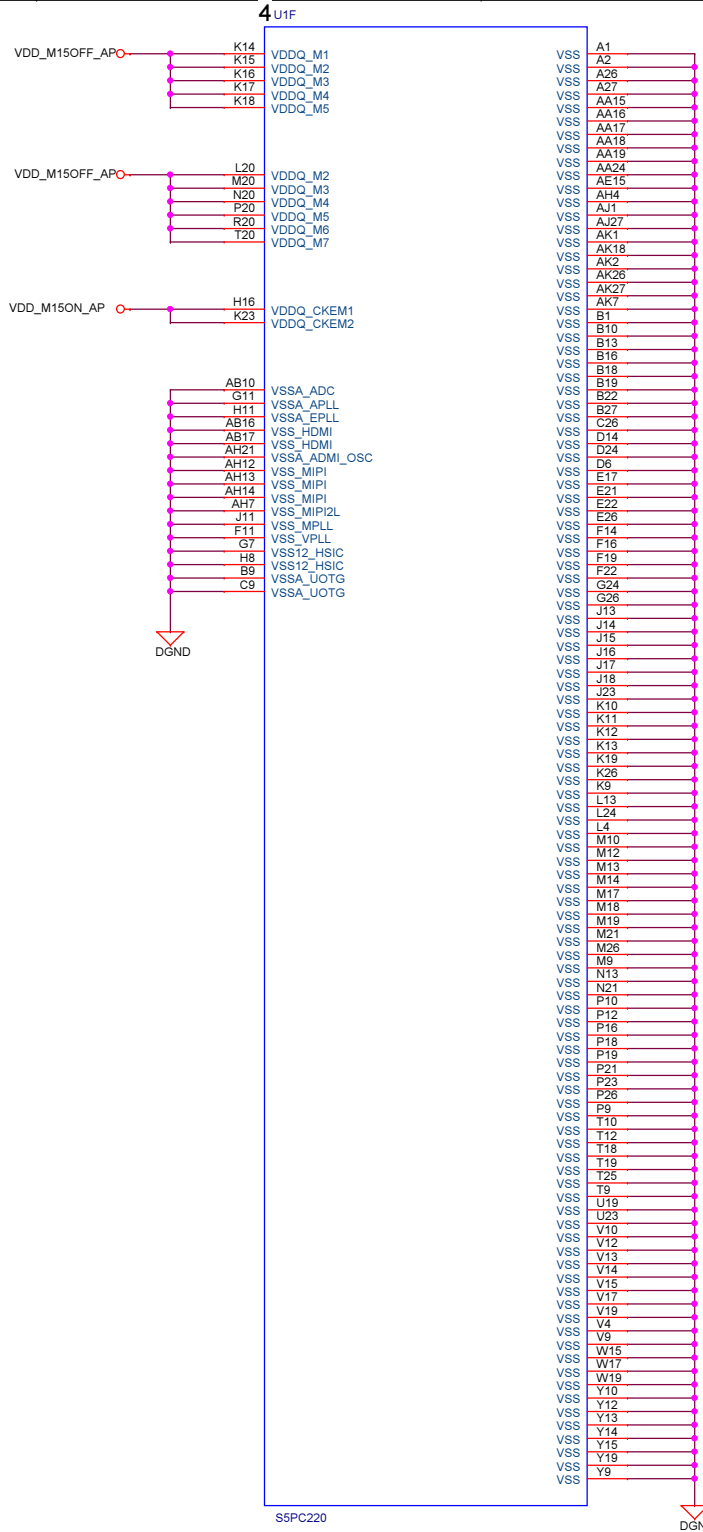
Designed by FriendlyARM in Guangzhou
 All rights reserved | <http://www.arm9.net>
 广州友善之臂计算机科技有限公司

File		nano-pc	
Size	Document Number		Rev
A2			
Date:	Thursday, April 24, 2014	Sheet	5 of 20



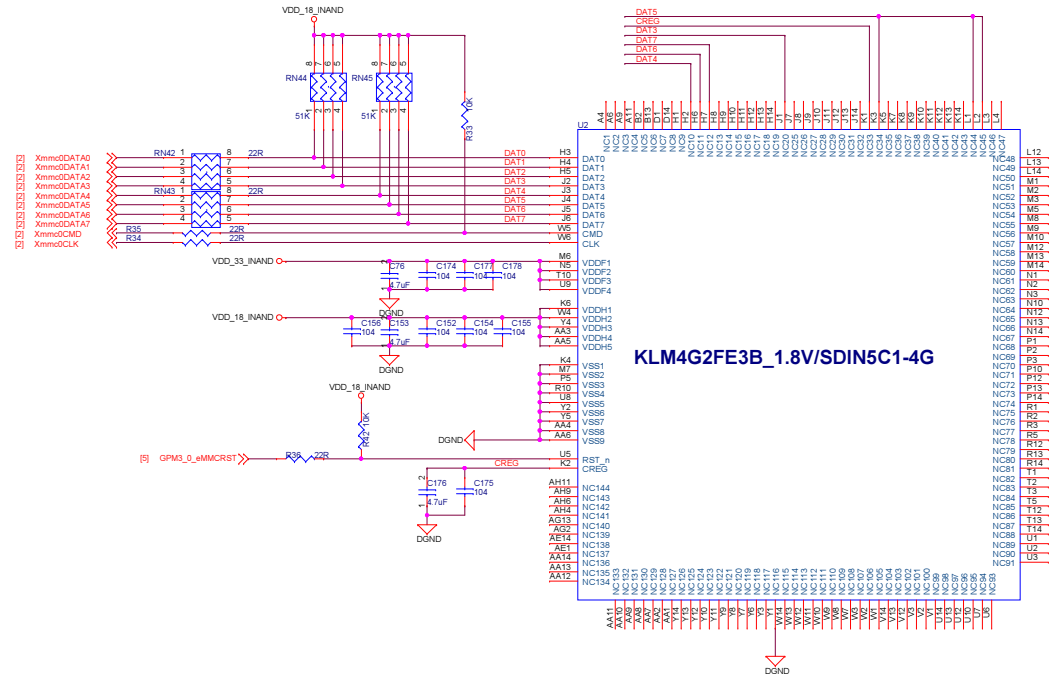
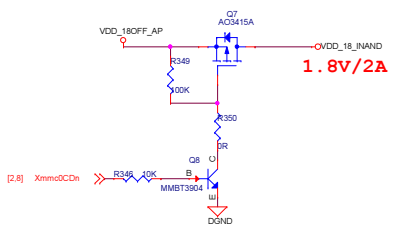
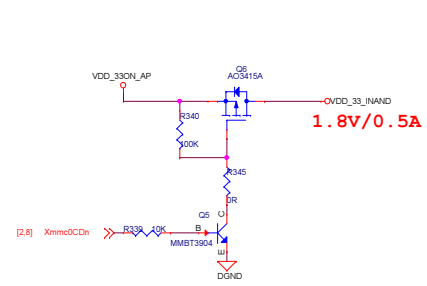
Designed by FriendlyARM in Guangzhou
 All rights reserved | <http://www.arm9.net>
 广州友善之臂计算机科技有限公司

Title		
NanoPC-T1		
Size	Document Number	Rev
A3		
Date:	Thursday, April 24, 2014	Sheet 6 of 20



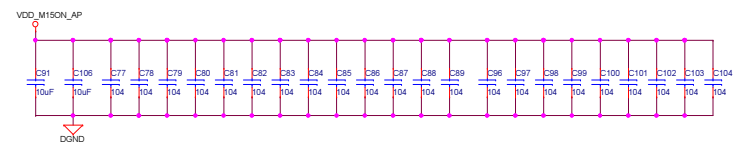
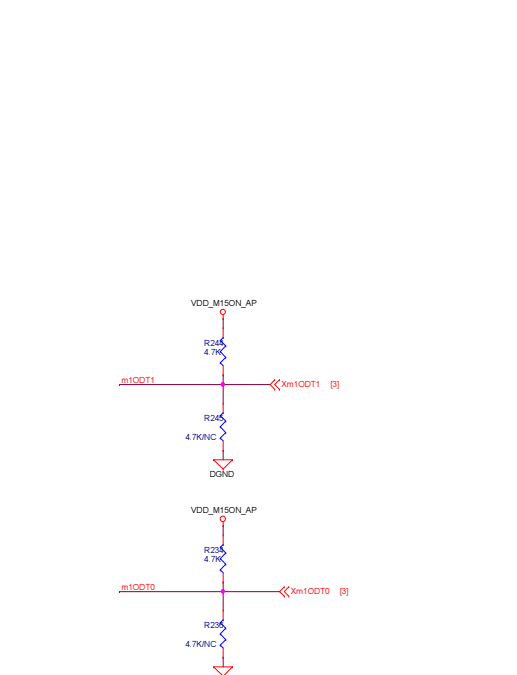
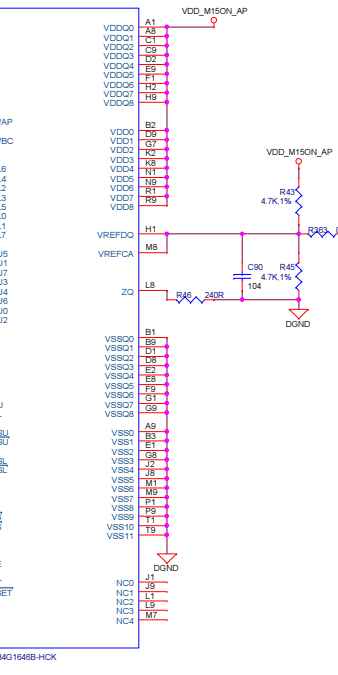
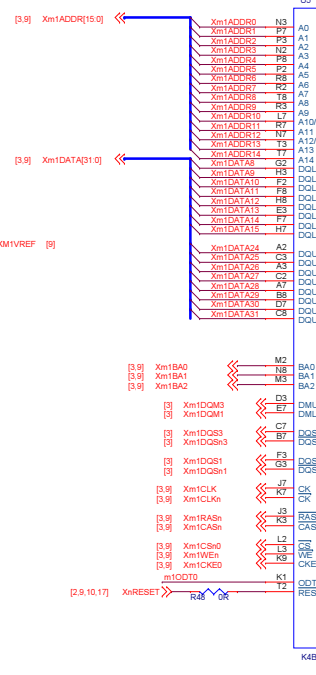
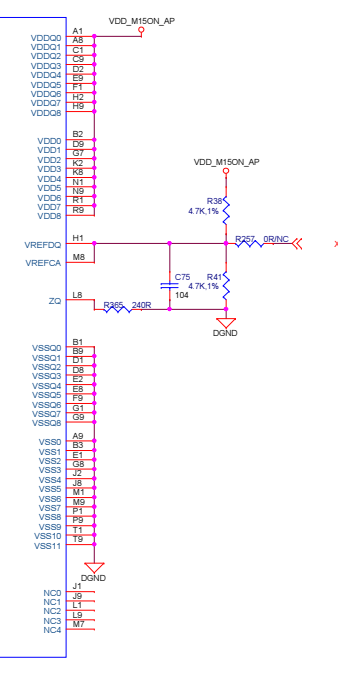
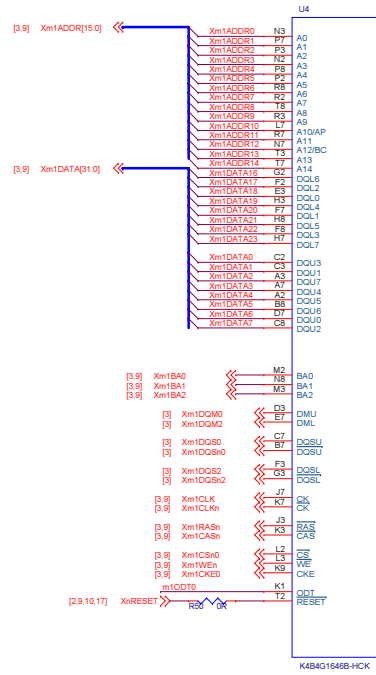
Designed by FriendlyARM in Guangzhou
 All rights reserved | <http://www.arm9.net>
 广州友善之臂计算机科技有限公司

Title		
NanoPC-T1		
Size	Document Number	Rev
A3	<Doc>	
Date:	Thursday, April 24, 2014	Sheet 7 of 20



Designed by FriendlyARM in Guangzhou
 All rights reserved | <http://www.arm9.net>
 广州友善之臂计算机科技有限公司

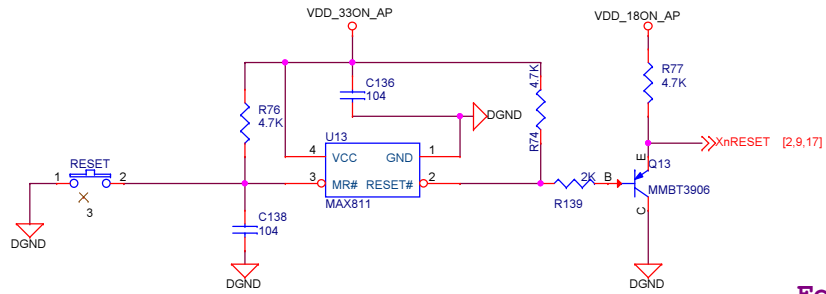
File		NanoPC-T1	
Size	42	Document Number	<Doc>
Date	Thursday, April 24, 2014	Sheet	8 of 20



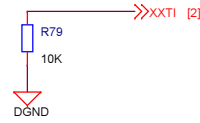
Designed by FriendlyARM in Guangzhou
 All rights reserved | <http://www.arm9.net>
 广州友善之臂计算机科技有限公司

File	NanoPC-T1		
Size	A2	Document Number	Rev
Date	Thursday, April 24, 2014	Sheet	9 of 20

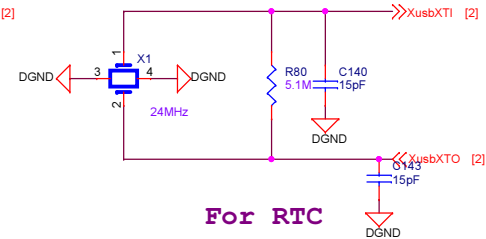
复位电路



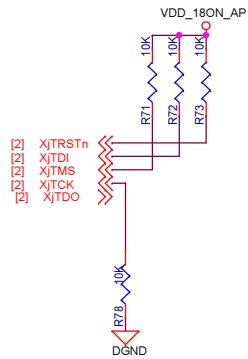
For PLL



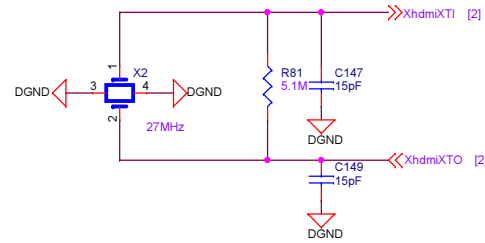
For USB HOST



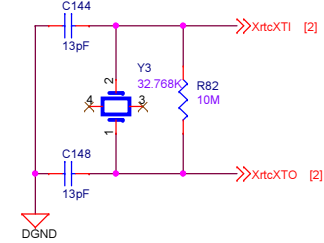
JTAG电路



For VEDIO

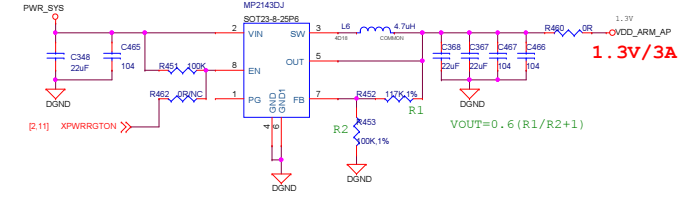
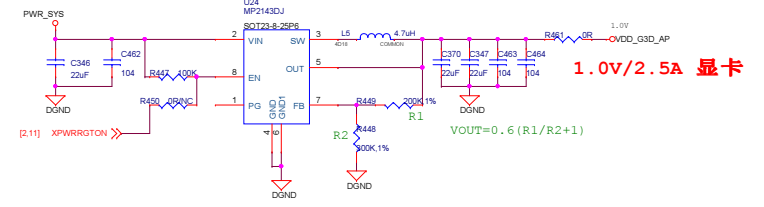
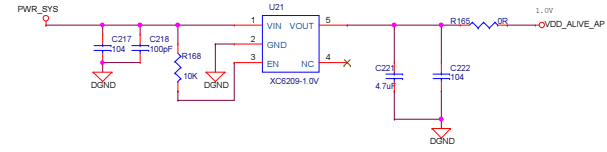
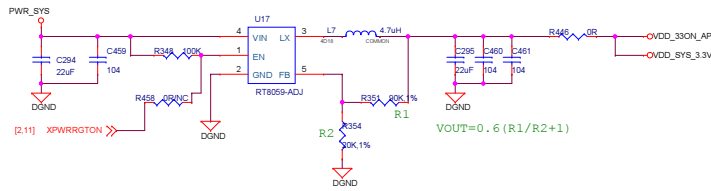
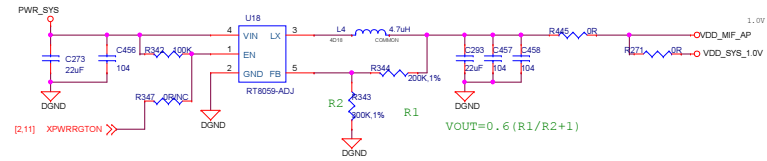
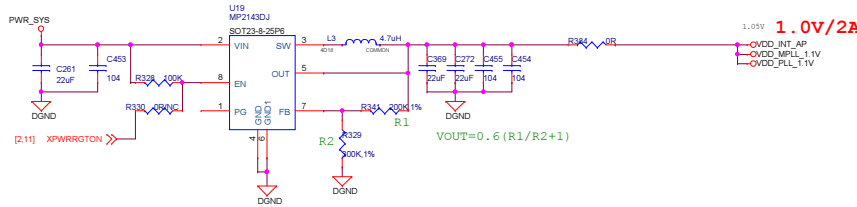
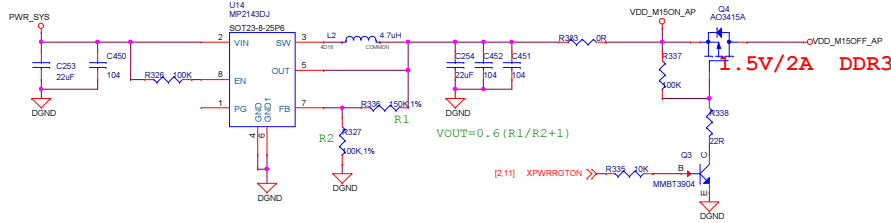
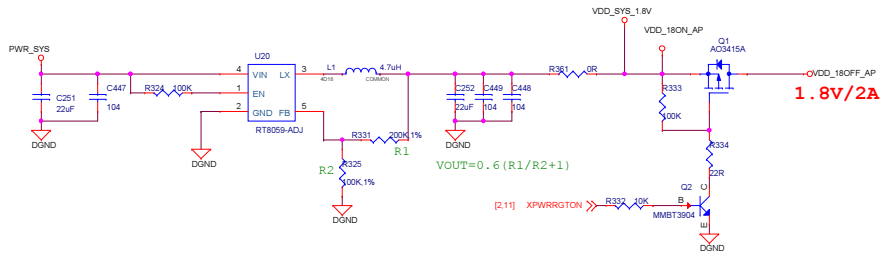


For RTC



Designed by FriendlyARM in Guangzhou
 All rights reserved | <http://www.arm9.net>
 广州友善之臂计算机科技有限公司

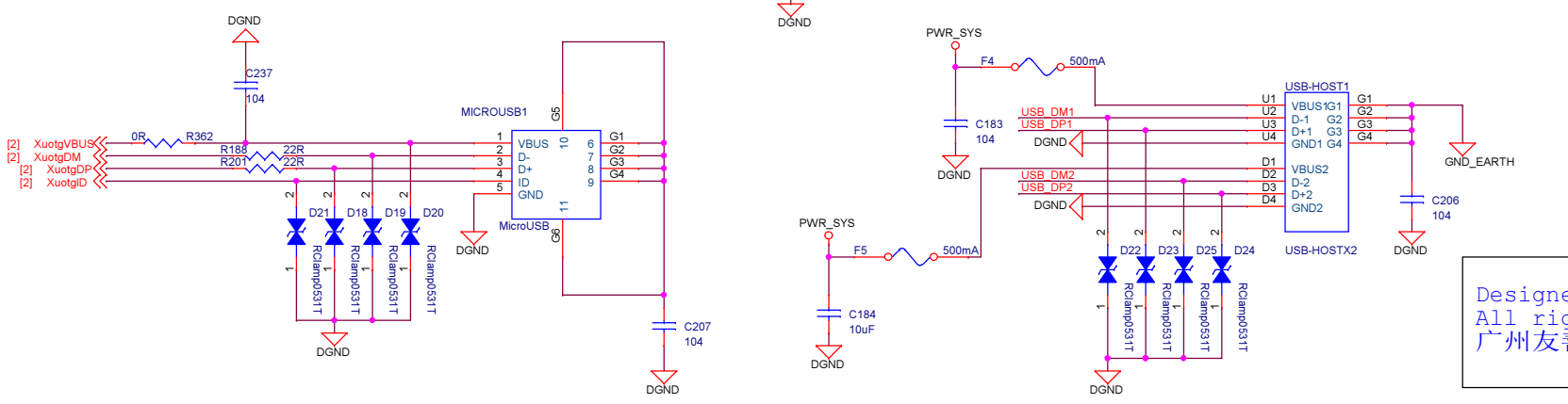
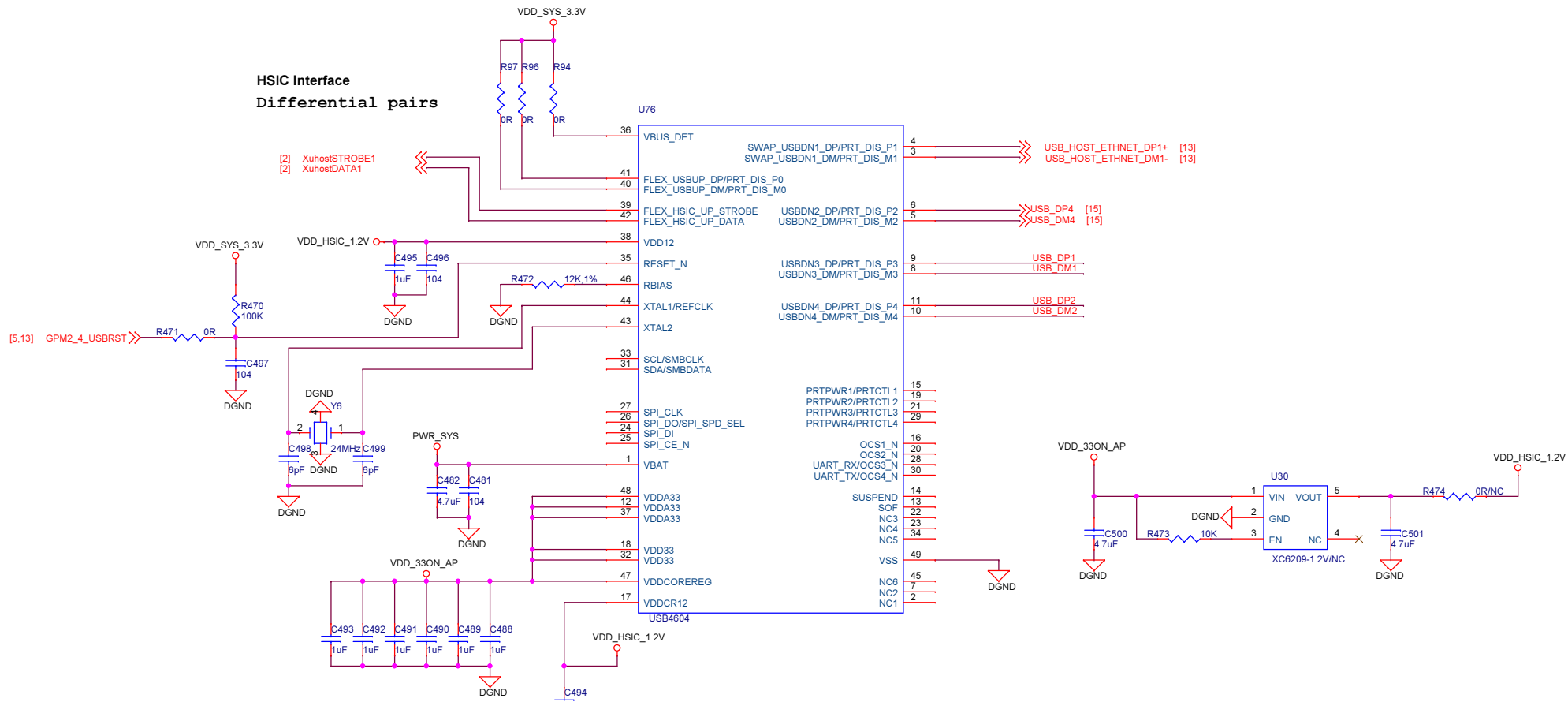
Title		
NanoPC-T1		
Size	Document Number	Rev
A3		
Date:	Thursday, April 24, 2014	Sheet 10 of 20



Designed by FriendlyARM in Guangzhou
 All rights reserved | <http://www.arm9.net>
 广州友善之臂计算机科技有限公司

Title		
NanoPC-T1		
Size	Document Number	Rev
A0		
Date:	Thursday, April 24, 2014	Sheet 11 of 20

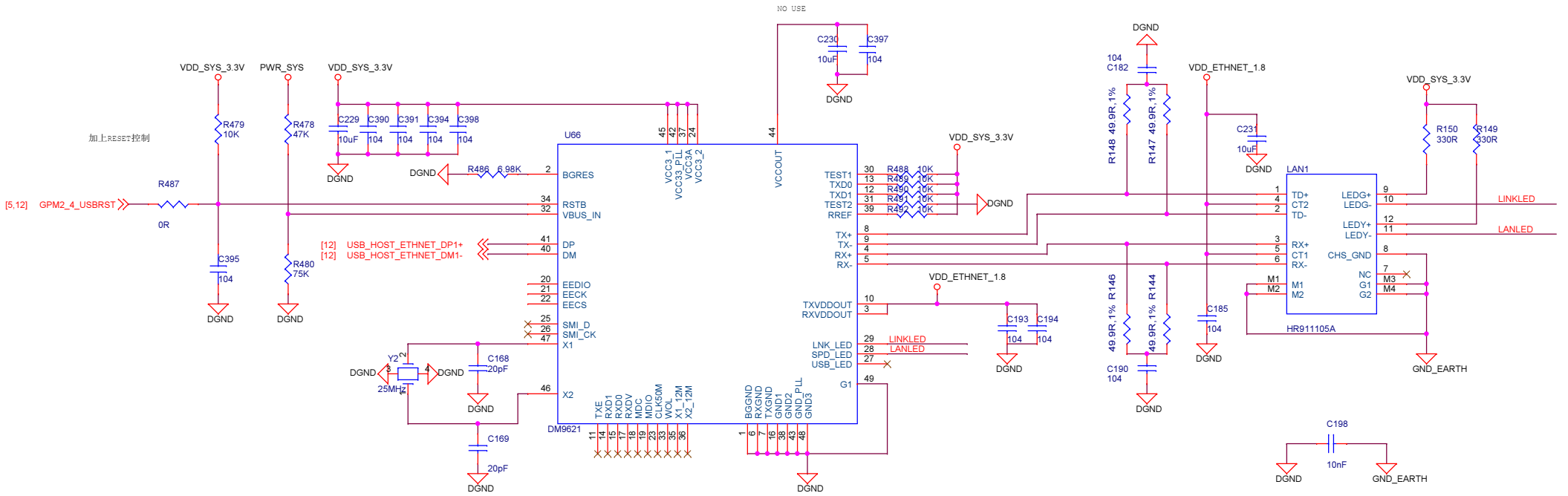
HSIC Interface
Differential pairs



Designed by FriendlyARM in Guangzhou
All rights reserved | <http://www.arm9.net>
广州友善之臂计算机科技有限公司

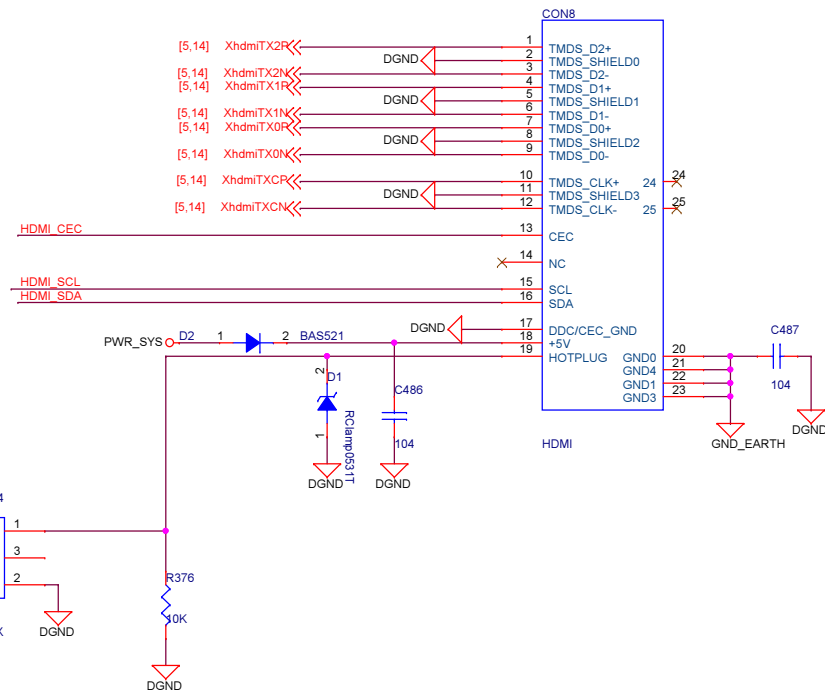
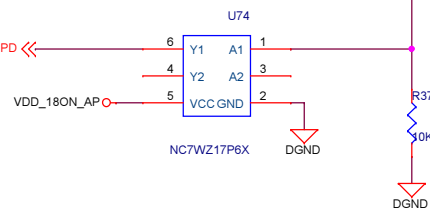
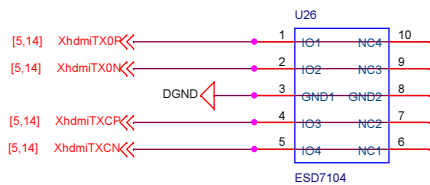
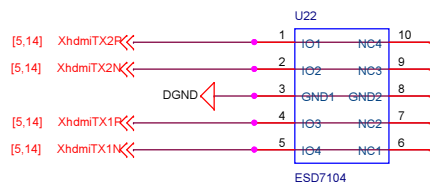
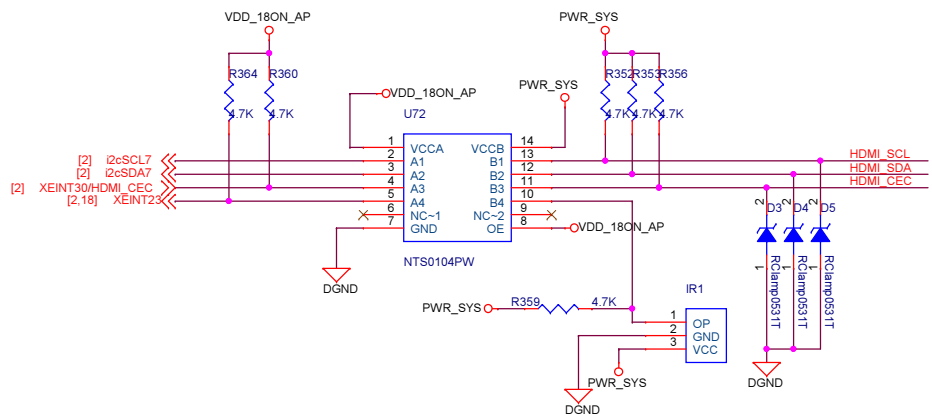
Title NanoPC-T1		
Size A3	Document Number	Rev
Date: Thursday, April 24, 2014	Sheet 12	of 20

USB ETHNET



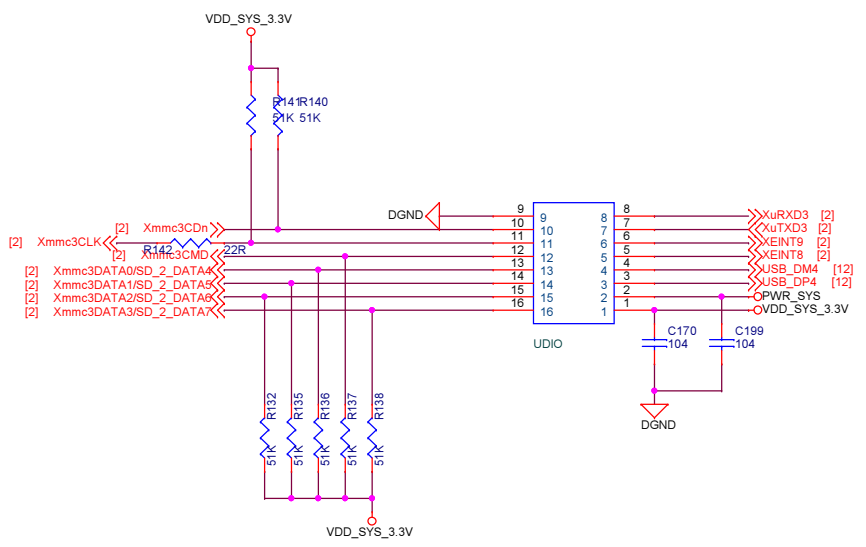
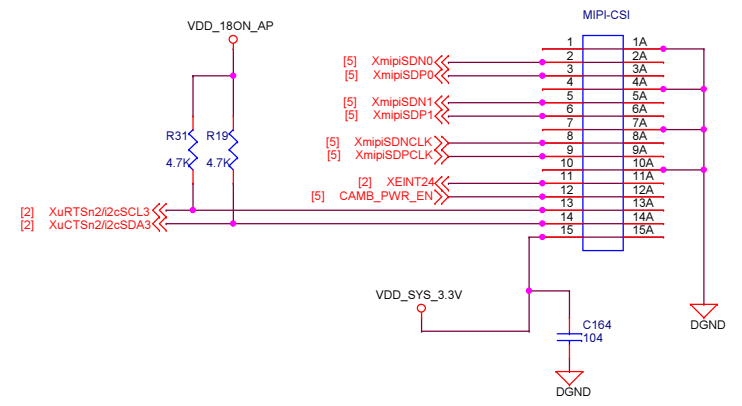
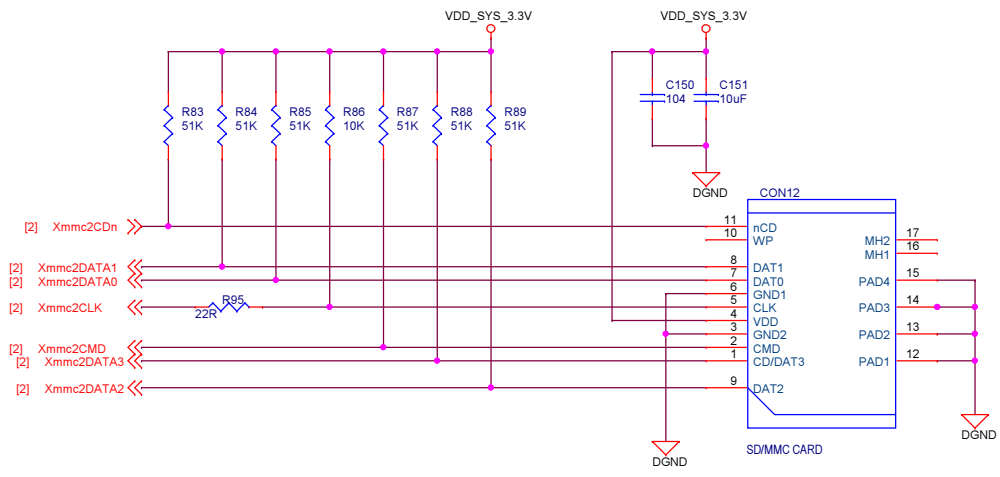
Designed by FriendlyARM in Guangzhou
 All rights reserved | <http://www.arm9.net>
 广州友善之臂计算机科技有限公司

Title		
NanoPC-T1		
Size	Document Number	Rev
A3		
Date:	Thursday, April 24, 2014	Sheet 13 of 20



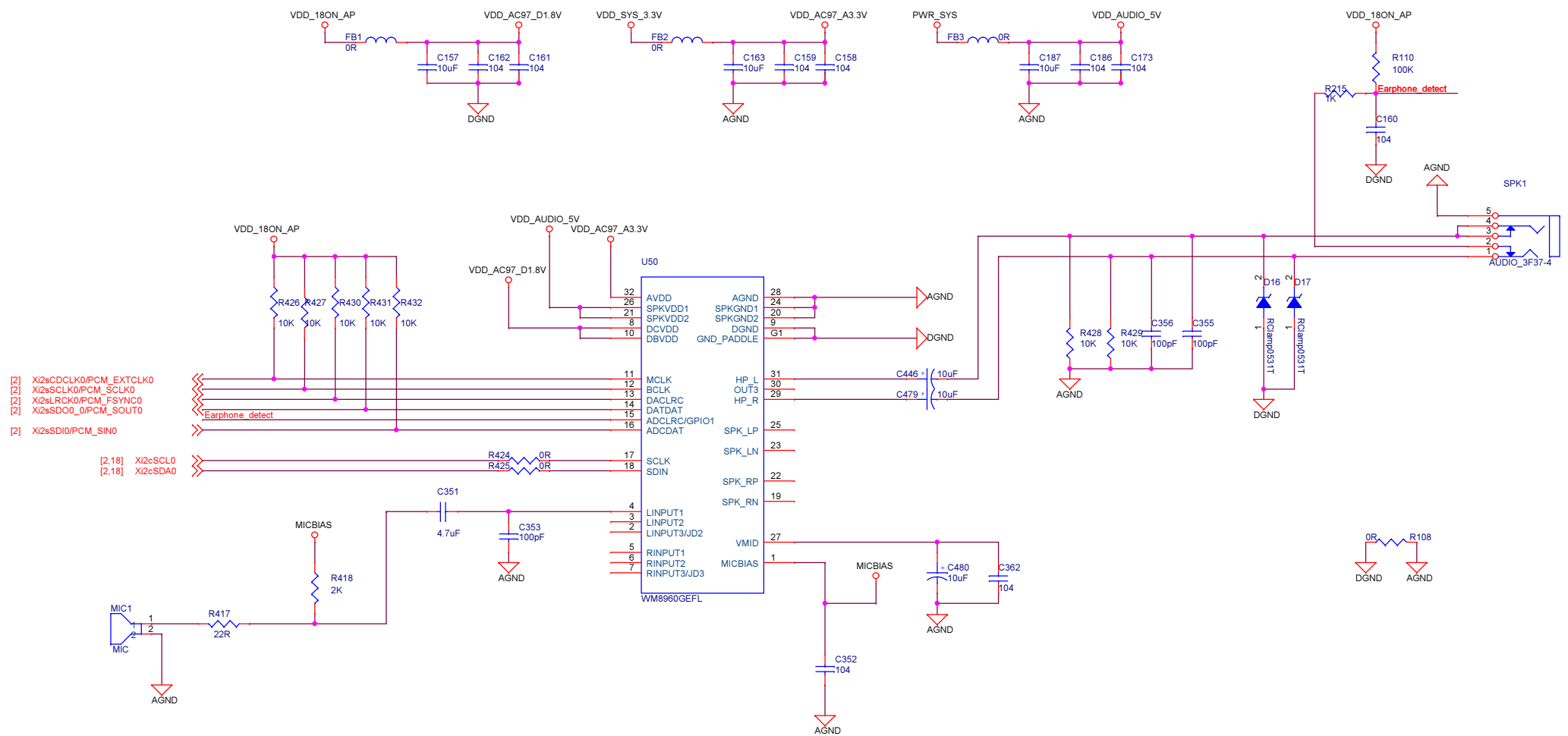
Designed by FriendlyARM in Guangzhou
 All rights reserved | <http://www.arm9.net>
 广州友善之臂计算机科技有限公司

Title		
NanoPC-T1		
Size	Document Number	Rev
A3		
Date:	Thursday, April 24, 2014	Sheet 14 of 20



Designed by FriendlyARM in Guangzhou
 All rights reserved | <http://www.arm9.net>
 广州友善之臂计算机科技有限公司

Title		
NanoPC-T1		
Size	Document Number	Rev
A3		
Date:	Thursday, April 24, 2014	Sheet 15 of 20

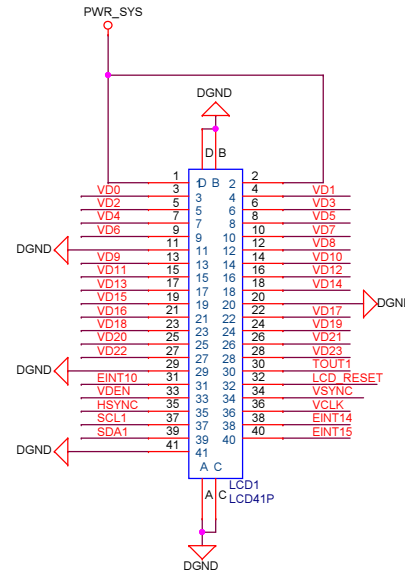
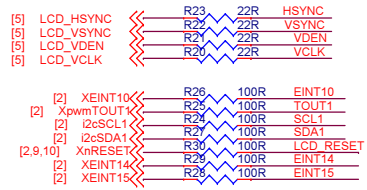
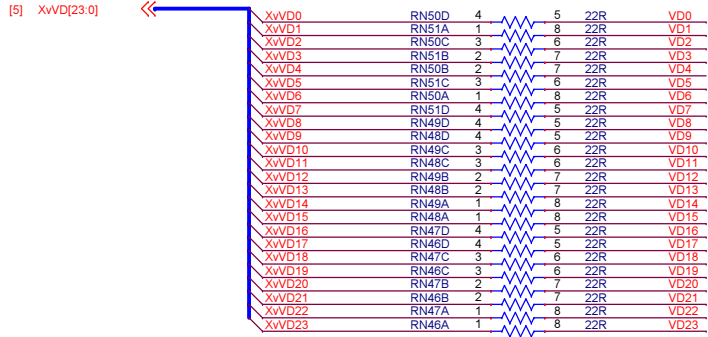


- [2] Xi2sCDCLK0/PCM_EXTCLK0
- [2] Xi2sSCLK0/PCM_SCLK0
- [2] Xi2sLRCK0/PCM_FSYNC0
- [2] Xi2sSDO0_0/PCM_SOUT0
- [2] Xi2sSDI0/PCM_SINO

Designed by FriendlyARM in Guangzhou
 All rights reserved | <http://www.arm9.net>
 广州友善之臂计算机科技有限公司

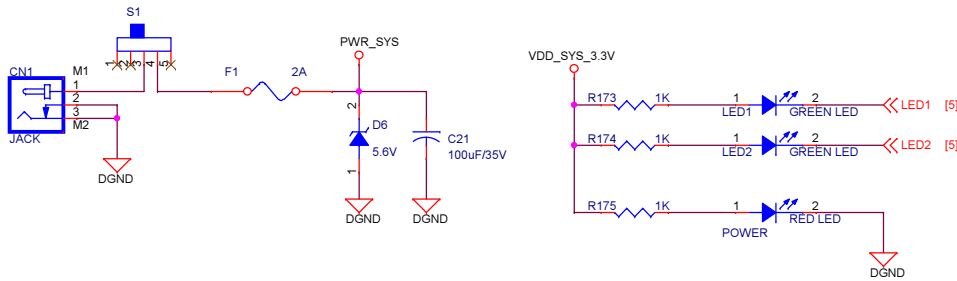
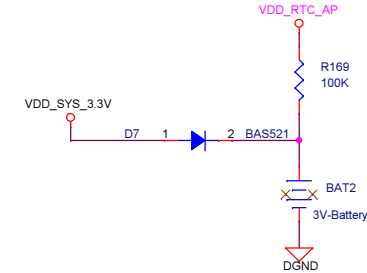
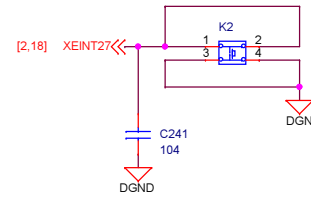
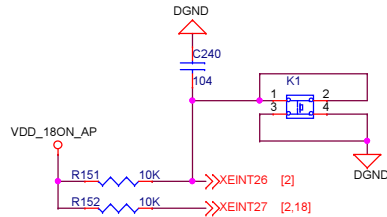
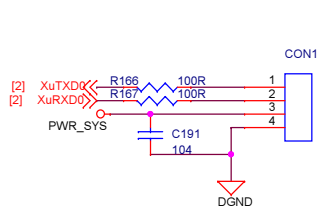
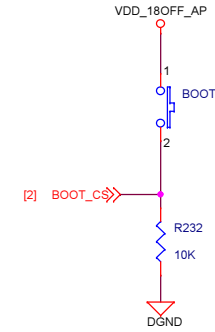
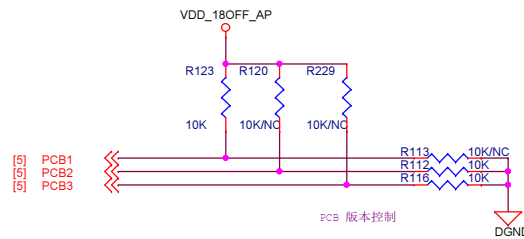
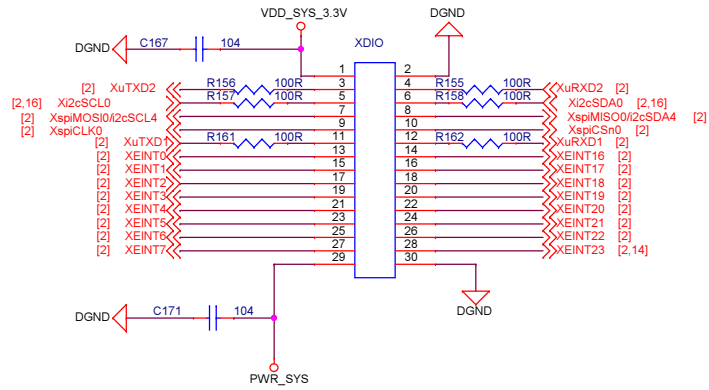
Title		
NanoPC-T1		
Size	Document Number	Rev
A3		
Date:	Thursday, April 24, 2014	Sheet 16 of 20

LCD-Interface



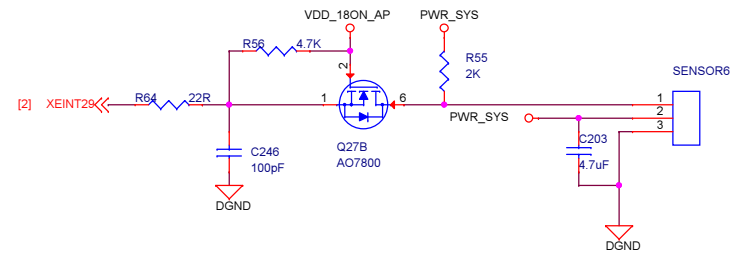
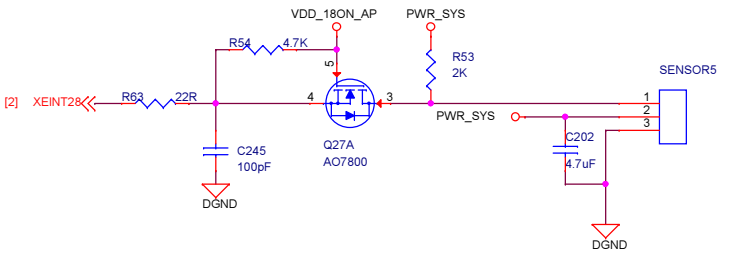
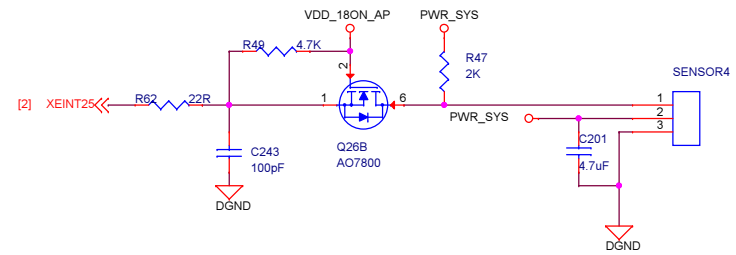
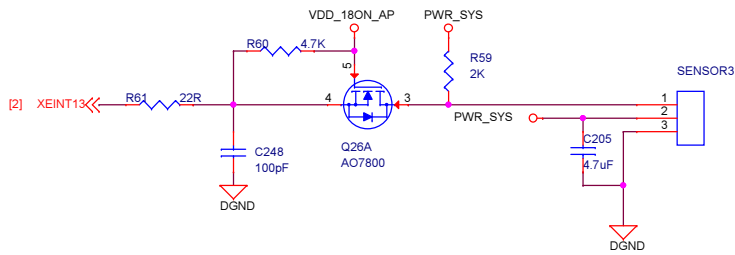
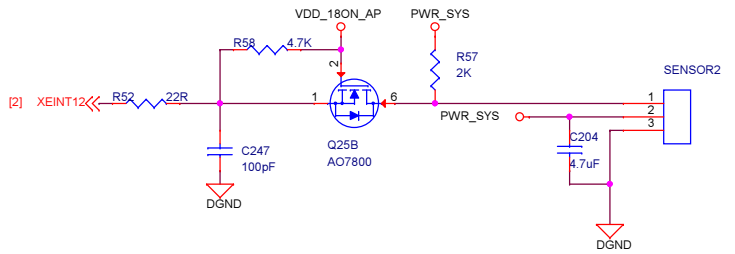
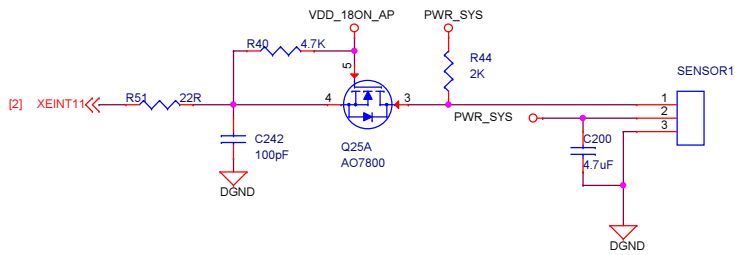
Designed by FriendlyARM in Guangzhou
 All rights reserved | <http://www.arm9.net>
 广州友善之臂计算机科技有限公司

Title		
NanoPC-T1		
Size	Document Number	Rev
A3		
Date:	Thursday, April 24, 2014	Sheet 17 of 20



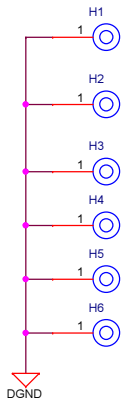
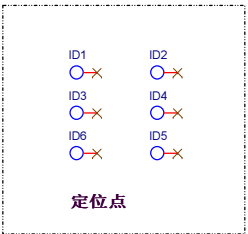
Designed by FriendlyARM in Guangzhou
 All rights reserved | <http://www.arm9.net>
 广州友善之臂计算机科技有限公司

File		
NanoPC-T1		
Size	Document Number	Rev
A3		
Date:	Thursday, April 24, 2014	Sheet 18 of 20



Designed by FriendlyARM in Guangzhou
 All rights reserved | <http://www.arm9.net>
 广州友善之臂计算机科技有限公司

Title		
NanoPC-T1		
Size	Document Number	Rev
A3		
Date:	Thursday, April 24, 2014	Sheet 19 of 20



Designed by FriendlyARM in Guangzhou
 All rights reserved | <http://www.arm9.net>
 广州友善之臂计算机科技有限公司

Title		
NanoPC-T1		
Size	Document Number	Rev
A3		
Date:	Thursday, April 24, 2014	Sheet 20 of 20
		1