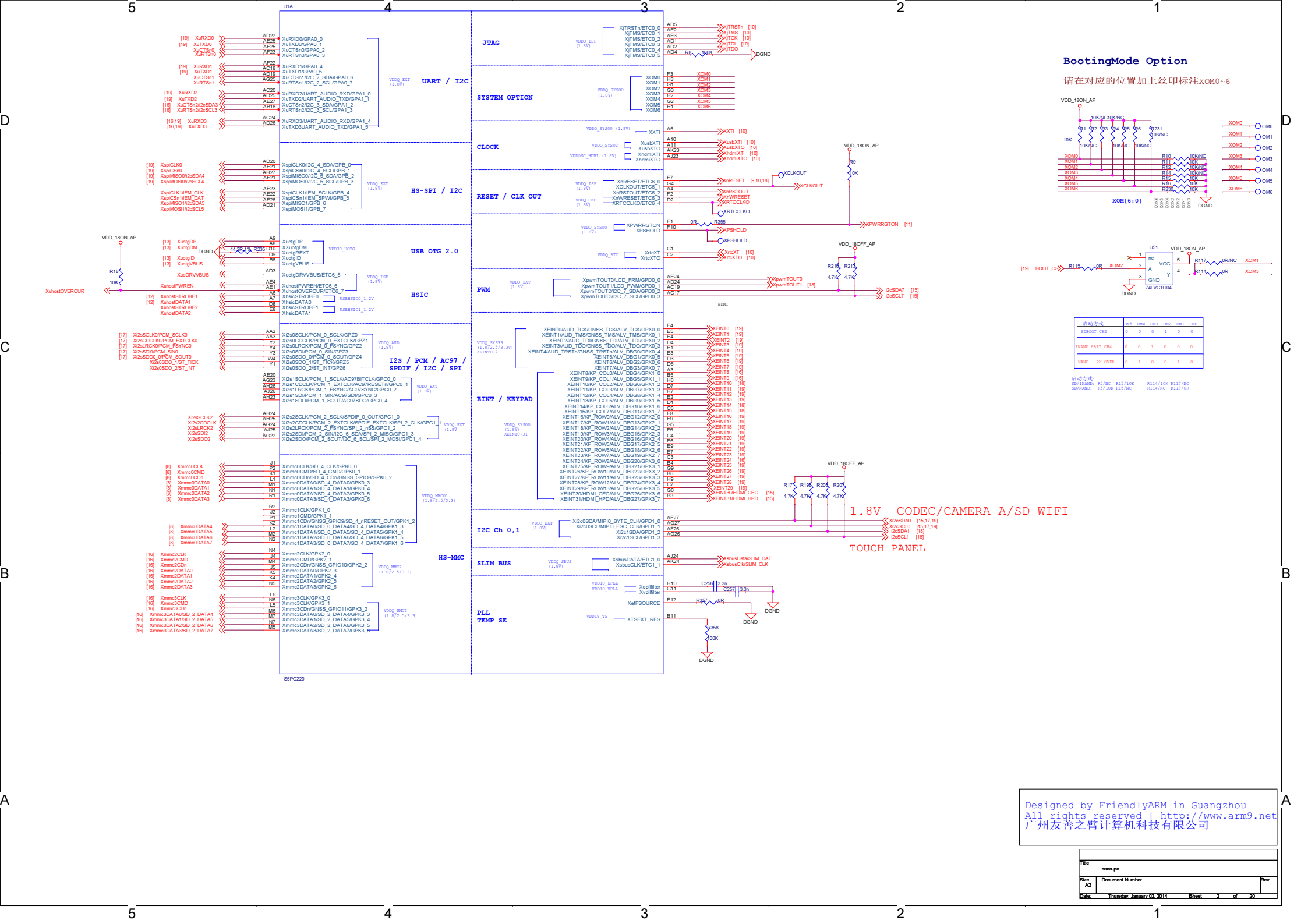


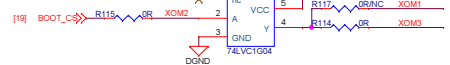
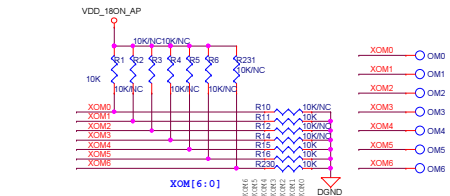
# NanoPC-4412

Title		
Tiny4412SDK 1312		
Size	Document Number	Rev
A3	<Doc>	<RevCod
Date:	Thursday, January 02, 2014	Sheet 1 of 20



### BootingMode Option

请在对应的位置加上丝印标注XOM0~6



启动方式	SD	0M0	0M1	0M2	0M3	0M4	0M5	0M6
SDBOOT CH0	0	0	1	0	0	0	0	0
INAND BRIT CH4	0	0	1	0	0	0	0	0
NAND 2K OVER	0	1	0	0	0	1	0	0

启动方式:  
SD/INAND: 05/10K R15/10K R114/10K R117/10K  
SD/NAND: 05/10K R15/10K R114/10K R117/0R

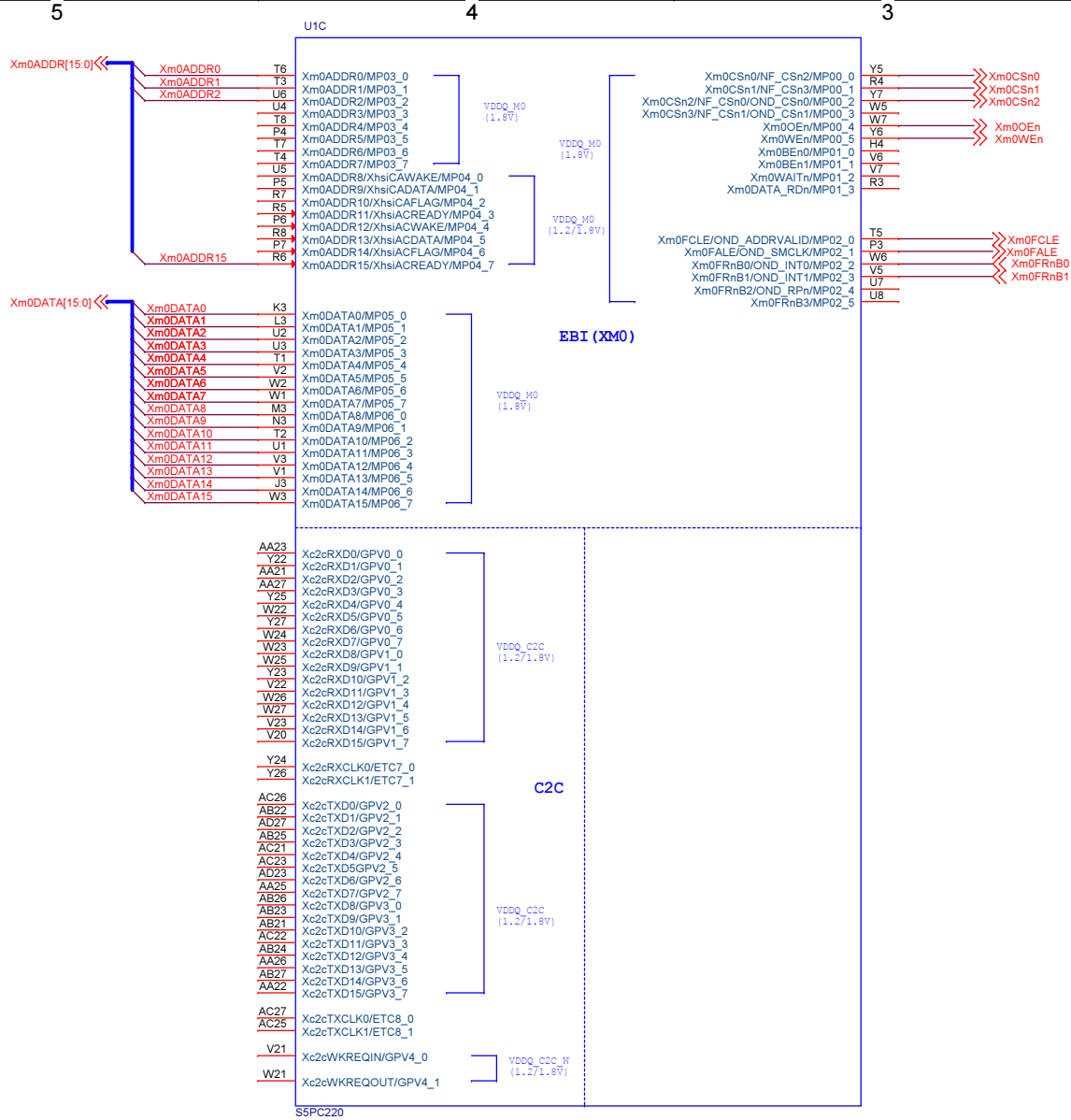
1.8V CODEC/CAMERA A/SD WIFI

TOUCH PANEL

Designed by FriendlyARM in Guangzhou  
All rights reserved | <http://www.arm9.net>  
广州友善之臂计算机科技有限公司

File	nano-pc		
Size	Document Number		Rev
Date	Thursday, January 02, 2014	Sheet	2 of 20

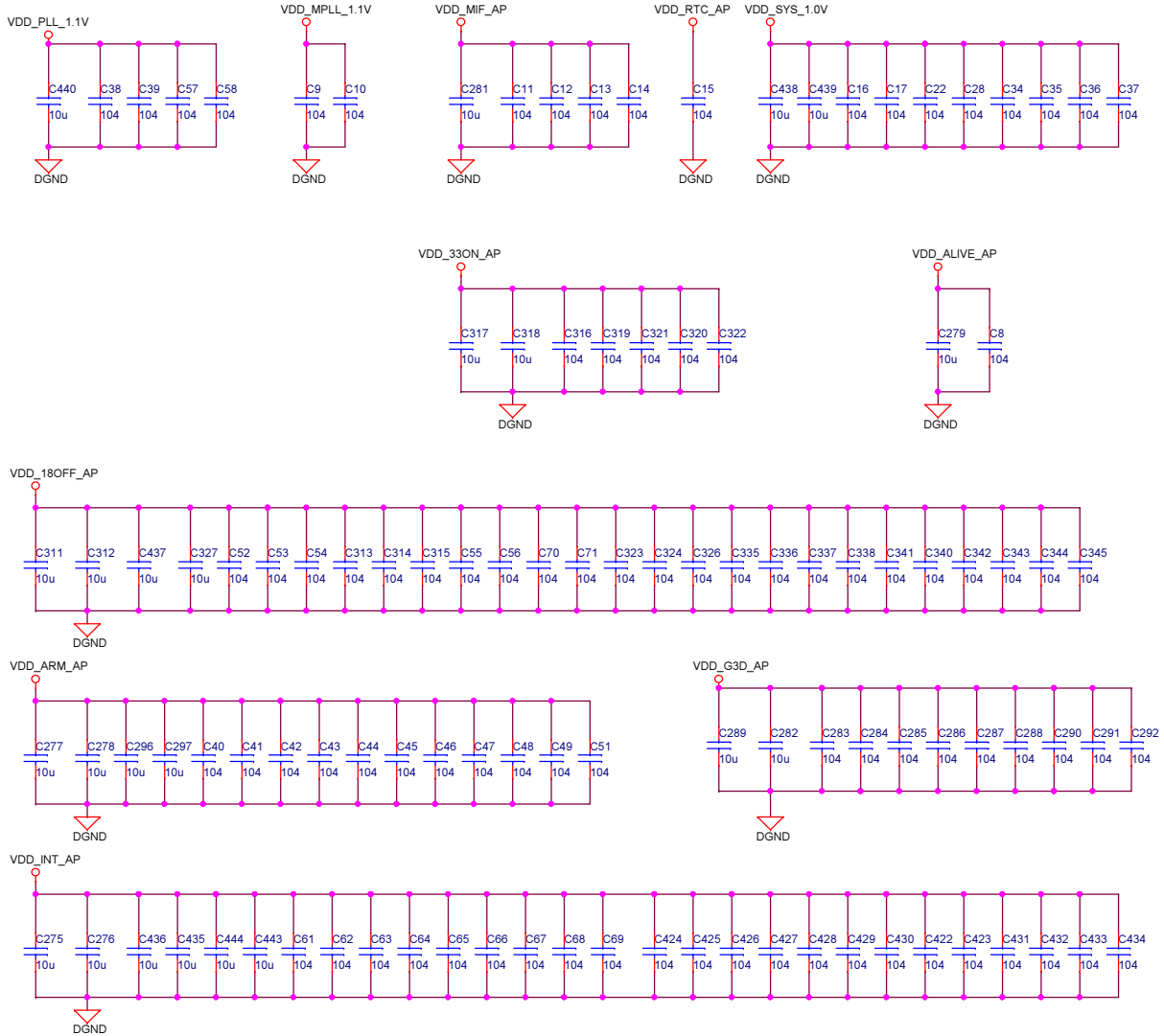
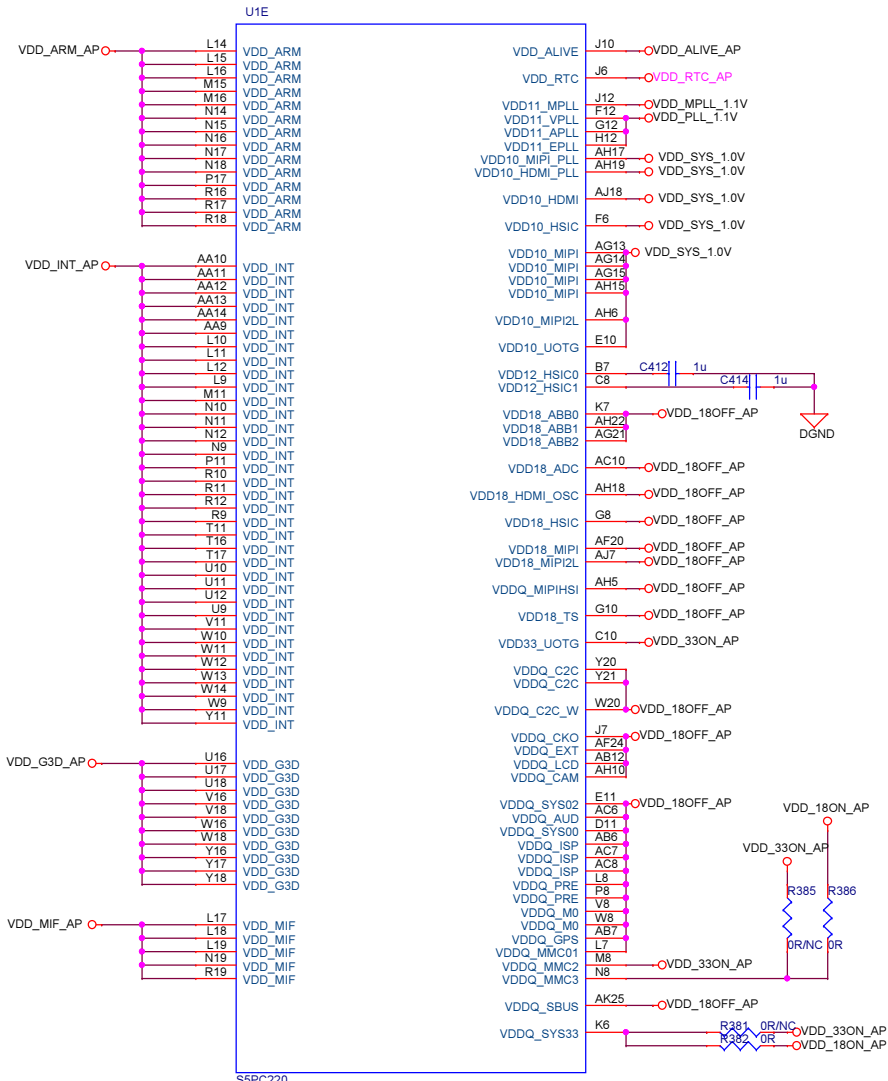




Designed by FriendlyARM in Guangzhou  
 All rights reserved | <http://www.arm9.net>  
 广州友善之臂计算机科技有限公司

Title			nano-pc		
Size	Document Number				Rev
A3	<Doc>				<RevCode>
Date:	Thursday, January 02, 2014	Sheet	4	of	20

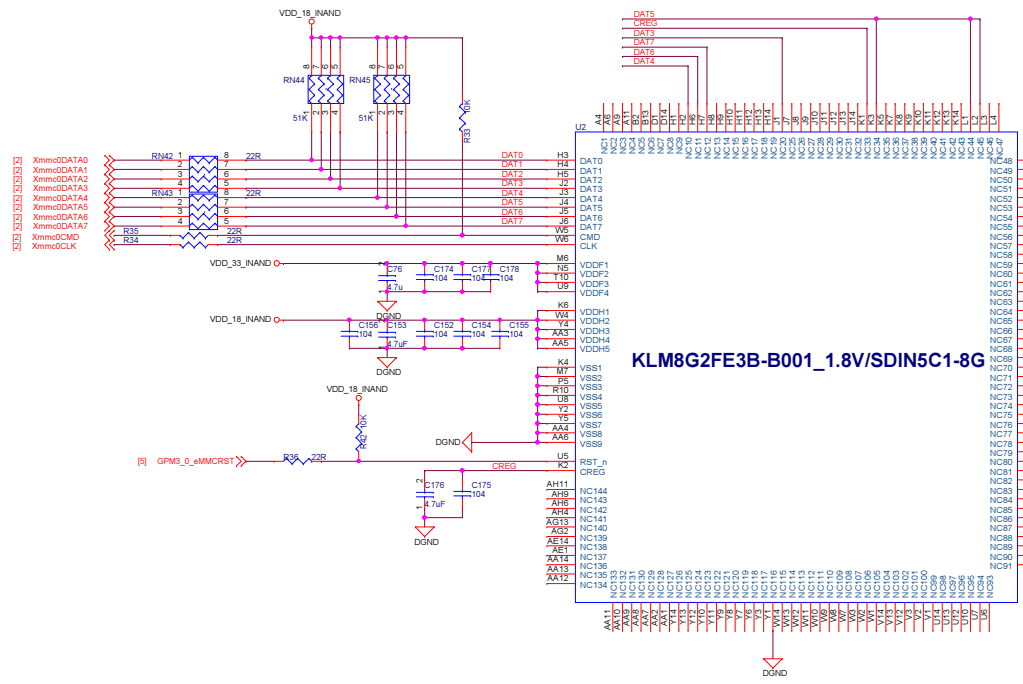
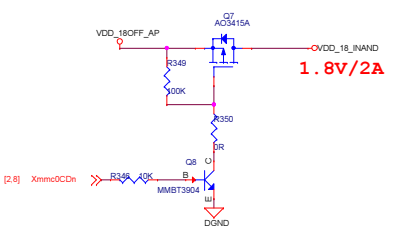
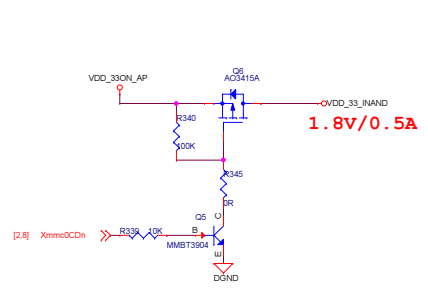




Designed by FriendlyARM in Guangzhou  
 All rights reserved | <http://www.arm9.net>  
 广州友善之臂计算机科技有限公司

Title		
nano-pc		
Size	Document Number	Rev
A3		
Date:	Thursday, January 02, 2014	Sheet 6 of 20





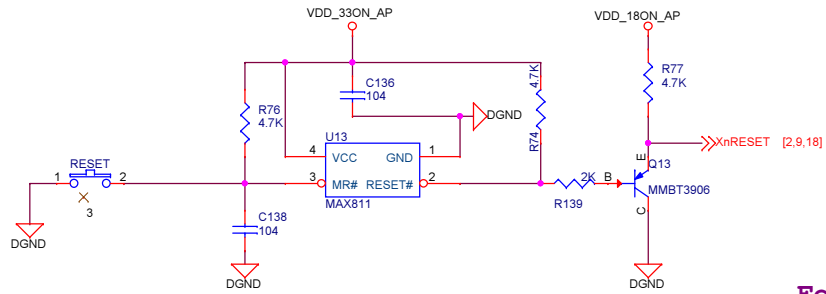
Designed by FriendlyARM in Guangzhou  
 All rights reserved | <http://www.arm9.net>  
 广州友善之臂计算机科技有限公司

File	nano-pc	
Size	Document Number	Rev
A2	<Doc>	
Date:	Thursday, January 02, 2014	Sheet 8 of 20

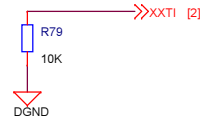




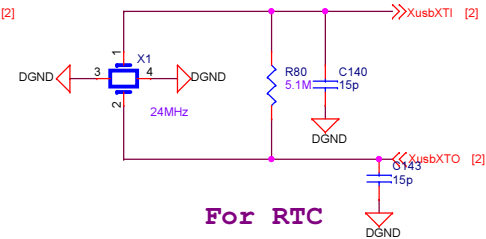
## 复位电路



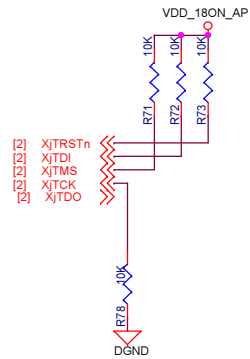
## For PLL



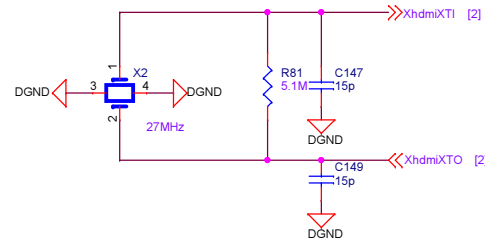
## For USB HOST



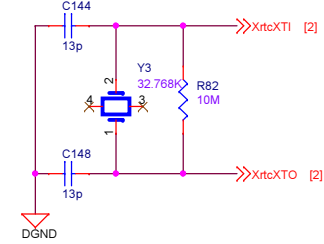
## JTAG电路



## For VEDIO

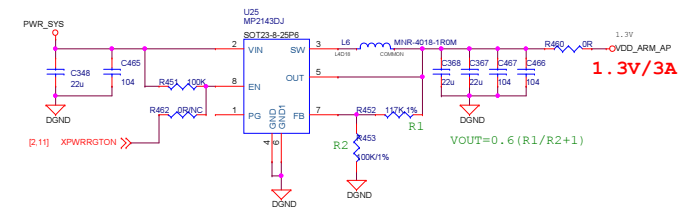
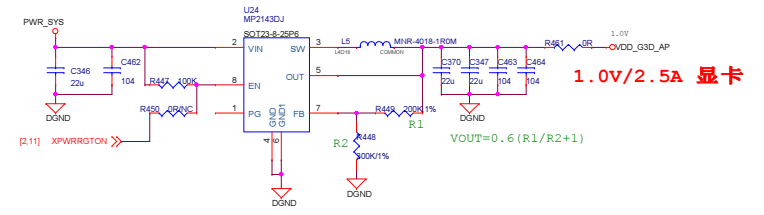
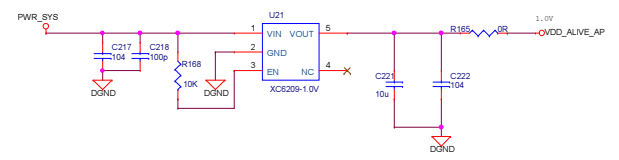
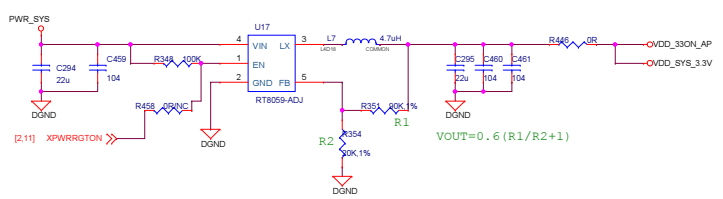
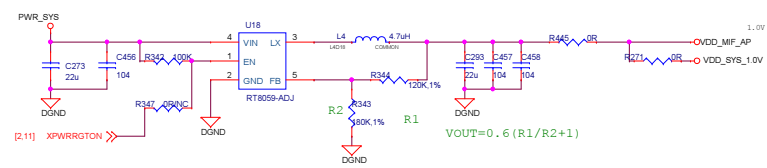
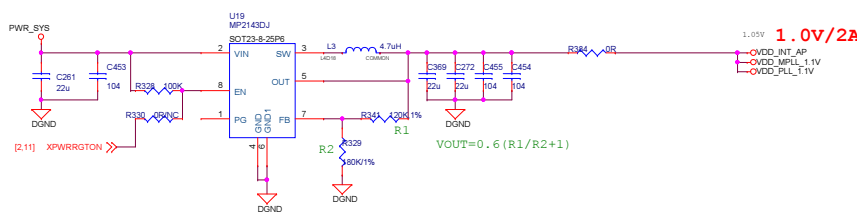
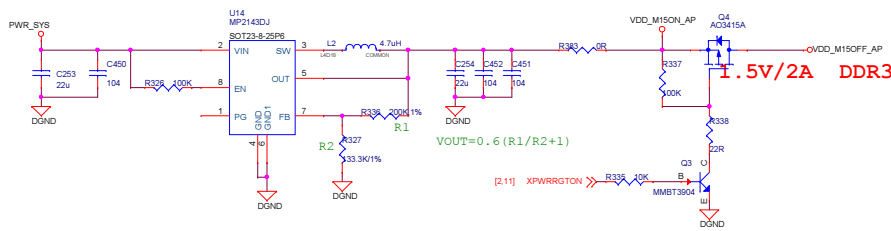
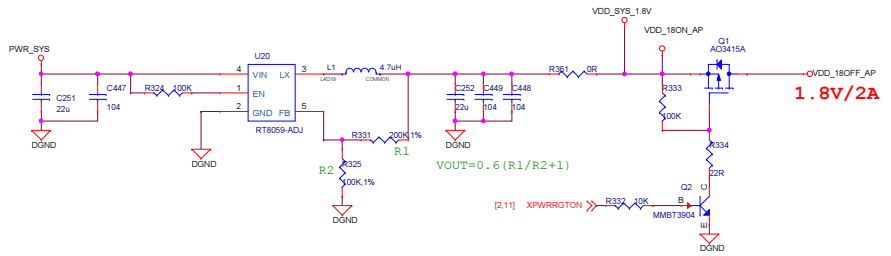


## For RTC



Designed by FriendlyARM in Guangzhou  
 All rights reserved | <http://www.arm9.net>  
 广州友善之臂计算机科技有限公司

Title		nano-pc	
Size	A3	Document Number	Rev
Date:	Thursday, January 02, 2014	Sheet	10 of 20

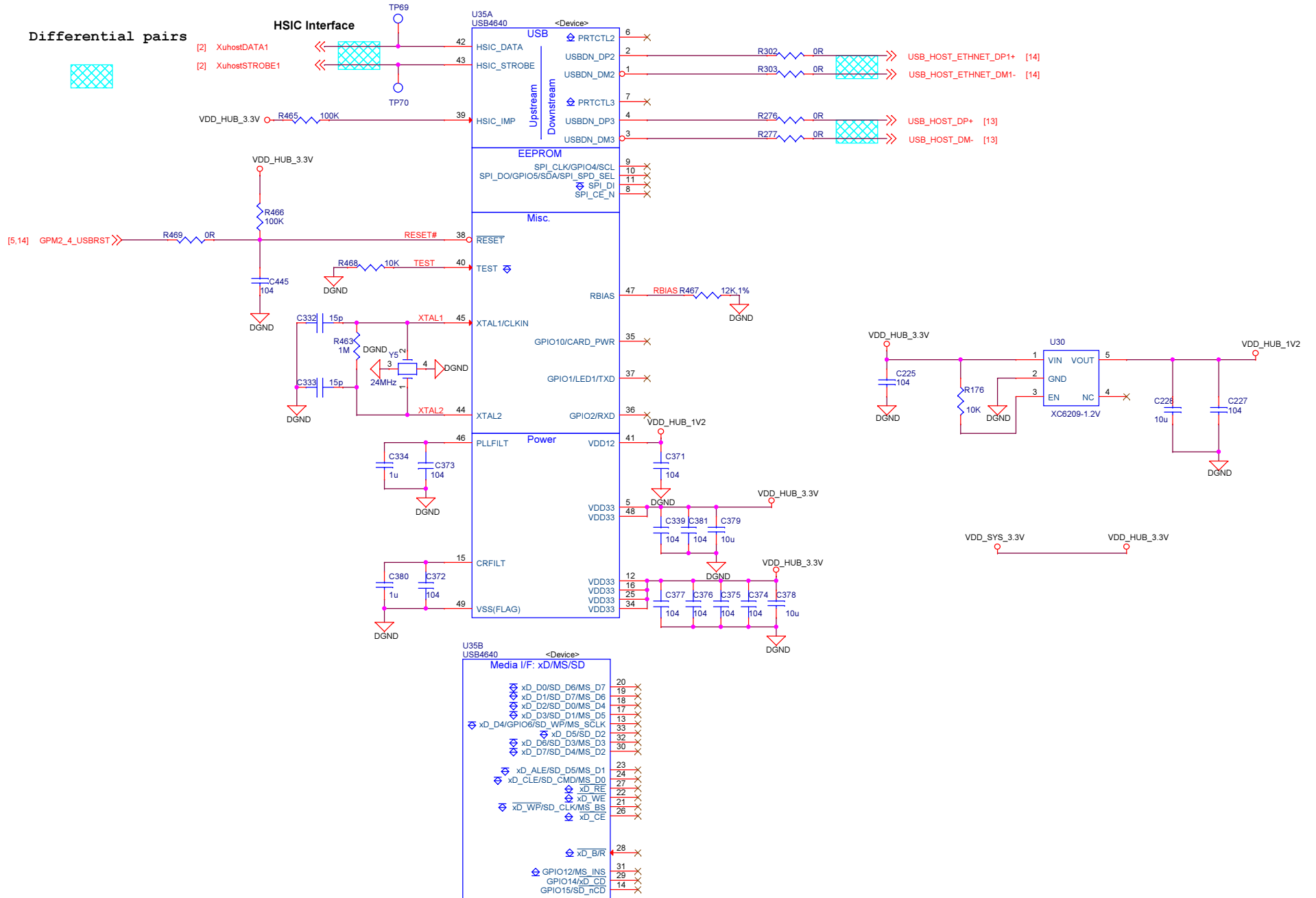


Designed by FriendlyARM in Guangzhou  
 All rights reserved | <http://www.arm9.net>  
 广州友善之臂计算机科技有限公司

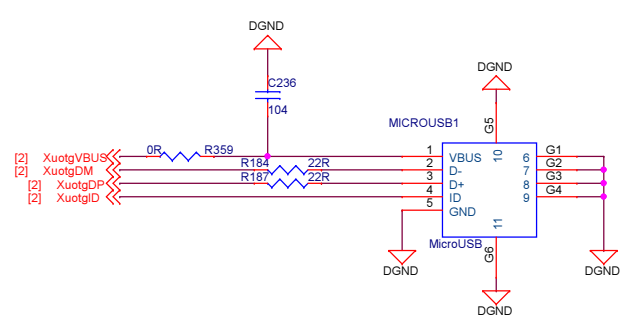
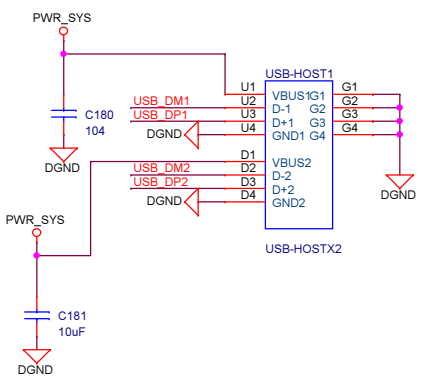
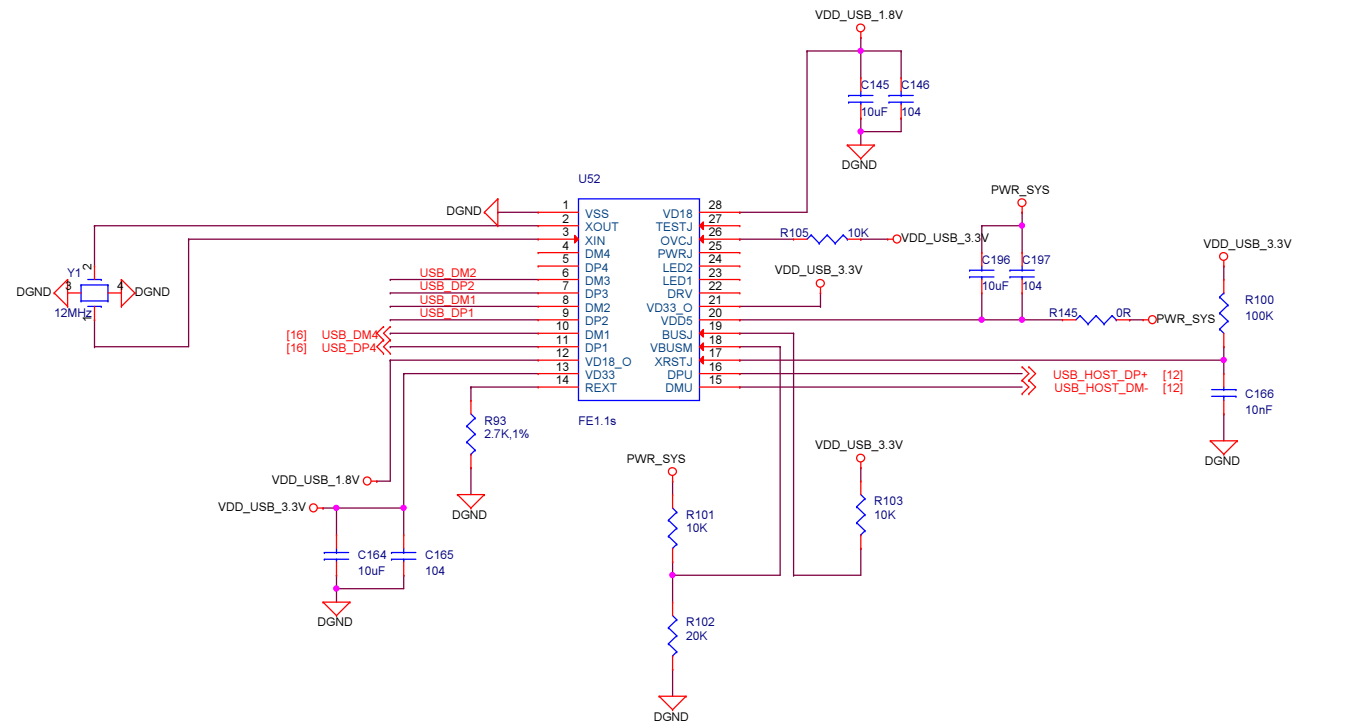
File	ratio-pc	
Size	Document Number	Rev
Date	Thursday, January 02, 2014	Sheet 11 of 20

# HSIC 1

Differential pairs

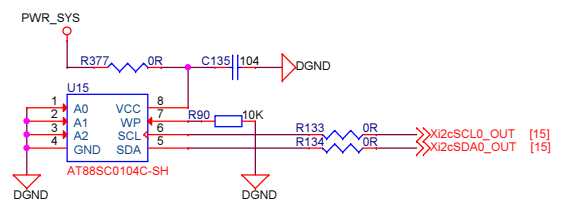
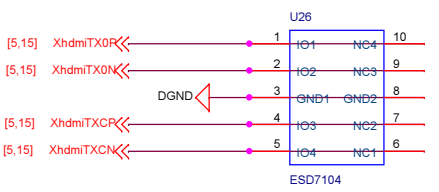
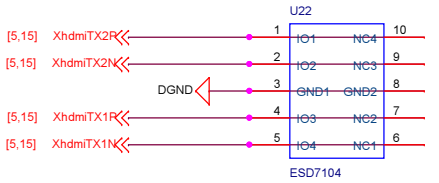
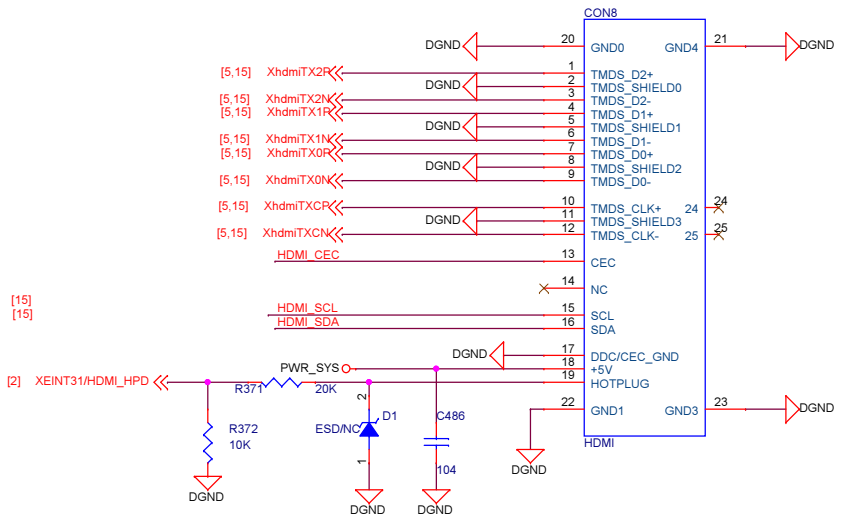
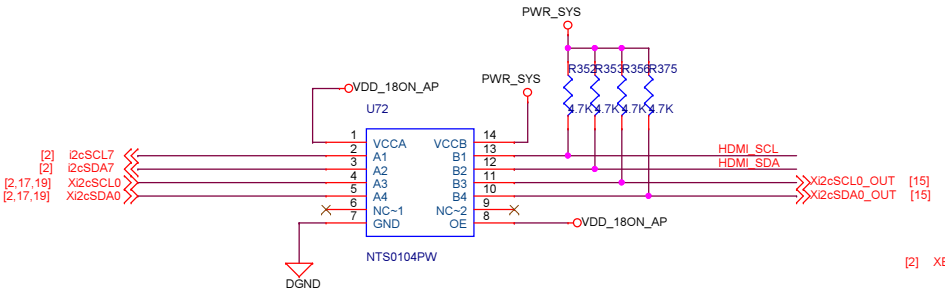
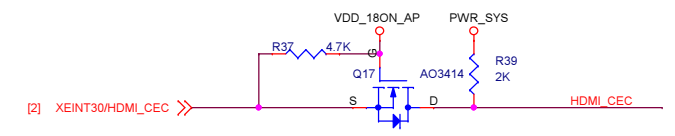


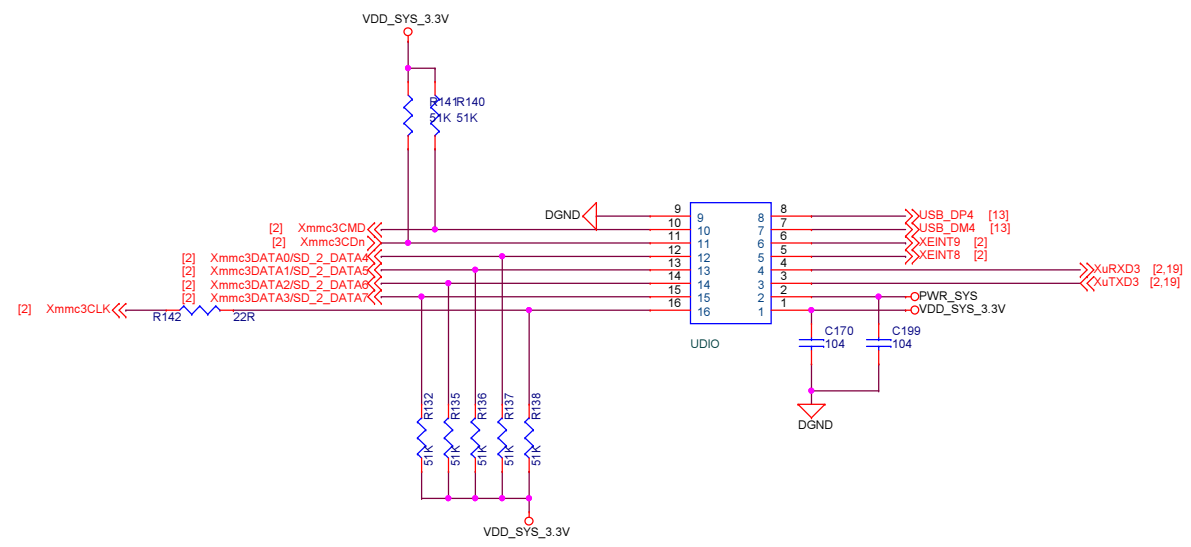
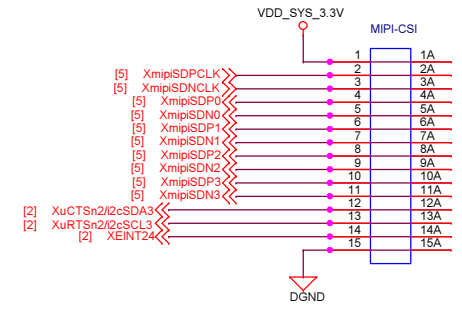
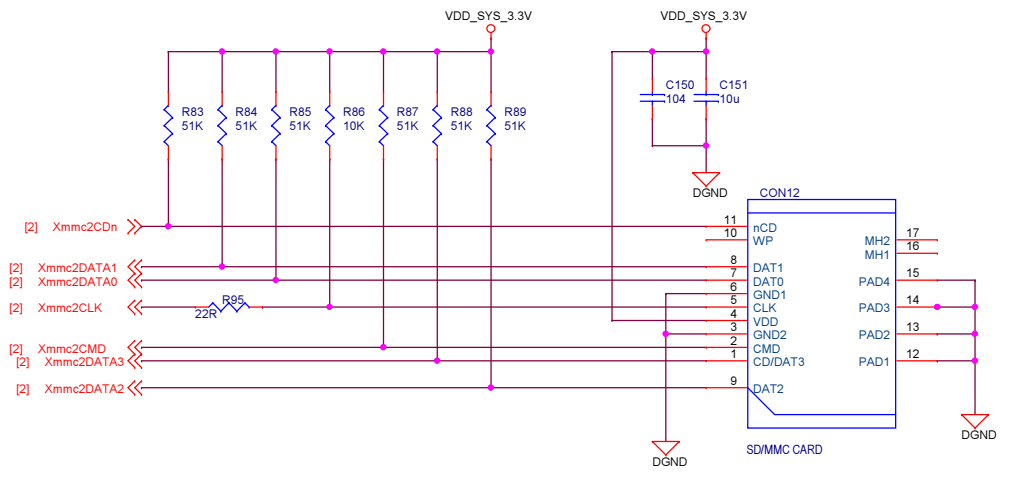
Title		
Tiny4412SDK 1312		
Size	Document Number	Rev
A3	<Doc>	<Rev>
Date:	Thursday, January 02, 2014	Sheet 12 of 20



Title		
nano-pc		
Size	Document Number	Rev
A3	<Doc>	<Rev>
Date:	Thursday, January 02, 2014	Sheet 13 of 20

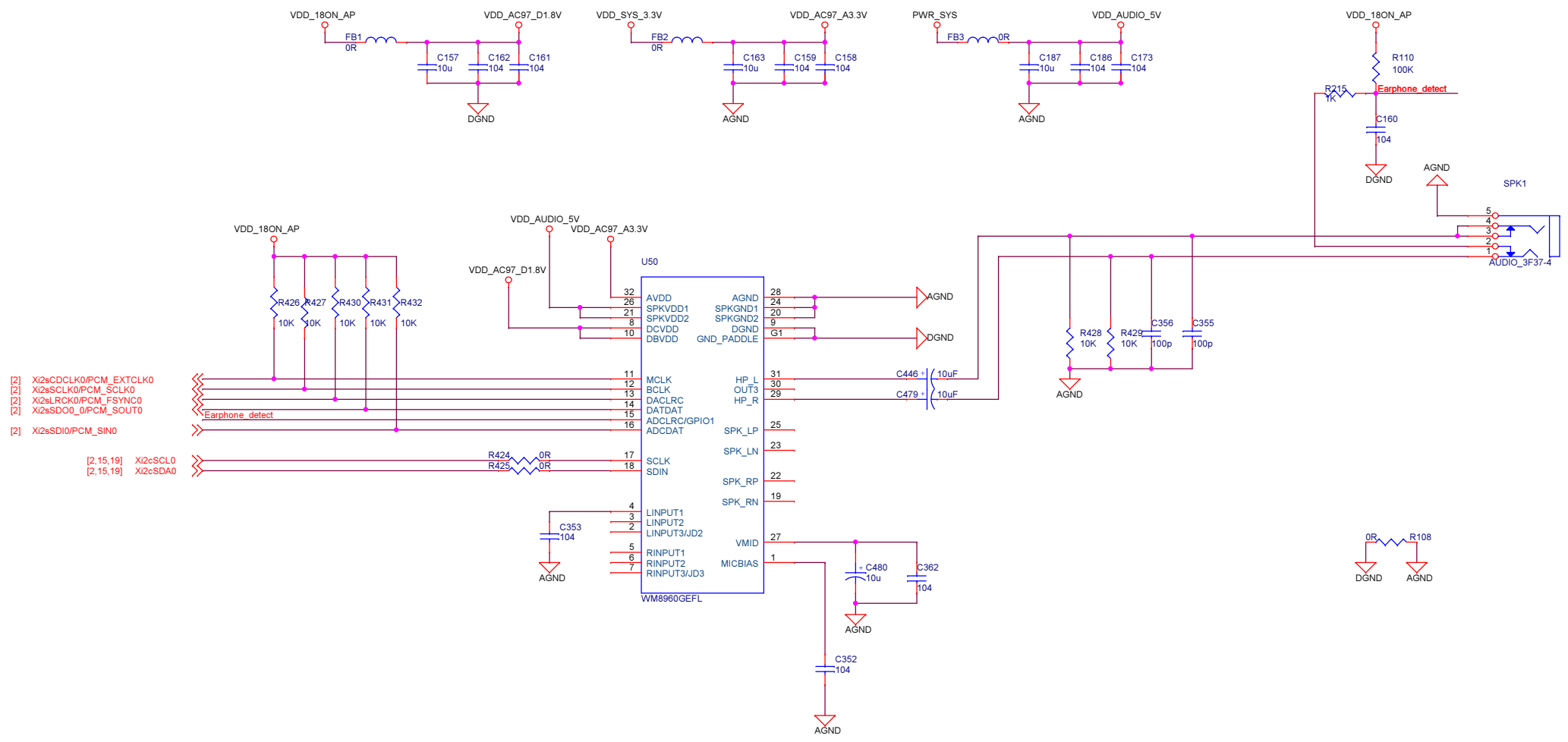






Title		
nano-pc		
Size	Document Number	Rev
A3	<Doc>	<Rev>
Date:	Thursday, January 02, 2014	Sheet 16 of 20

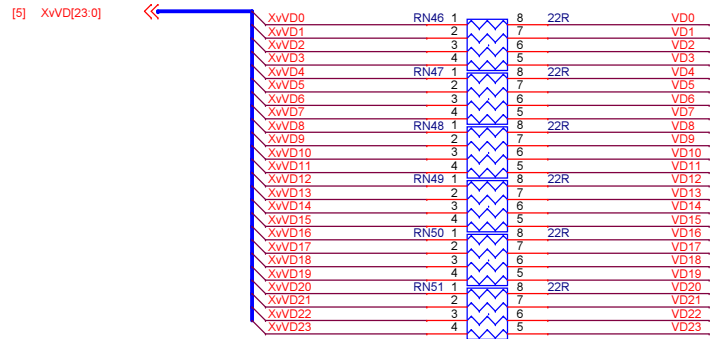




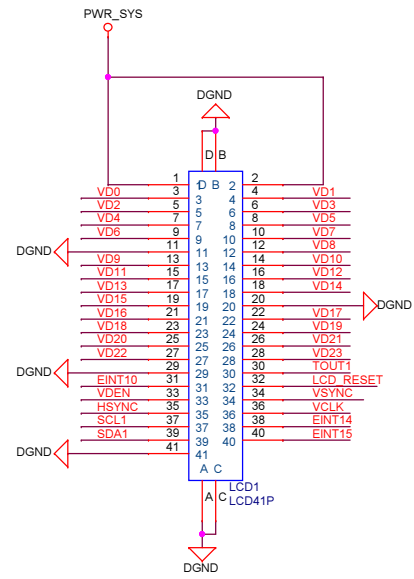
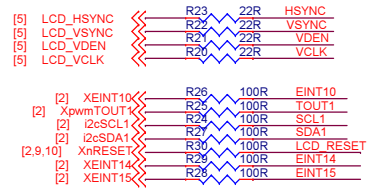
- [2] Xi2sCDCLK0/PCM\_EXTCLK0
- [2] Xi2sSCLK0/PCM\_SCLK0
- [2] Xi2sLRCK0/PCM\_FSYNC0
- [2] Xi2sSDO0\_0/PCM\_SOUT0
- [2] Xi2sSDI0/PCM\_SINO
- [2,15,19] Xi2sSCL0
- [2,15,19] Xi2sSDA0

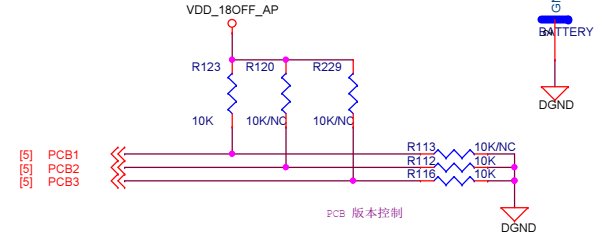
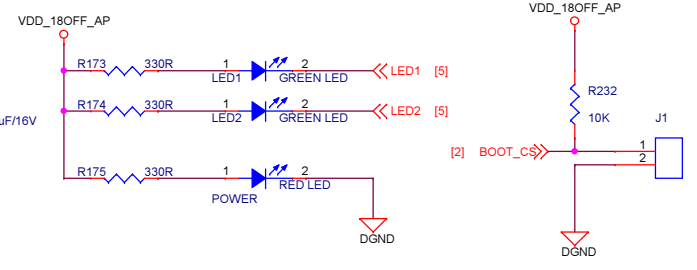
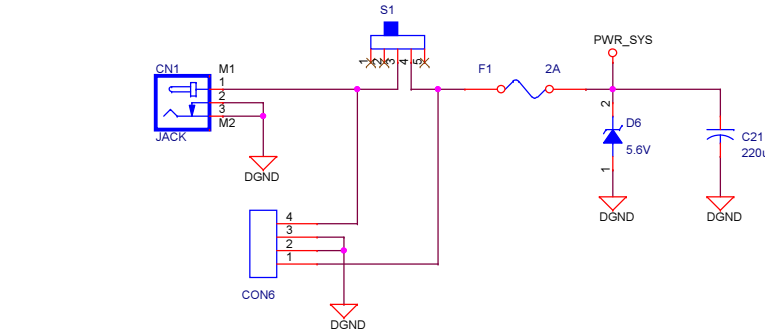
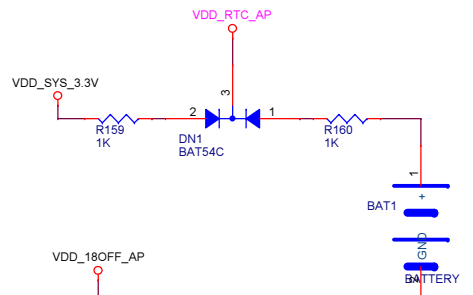
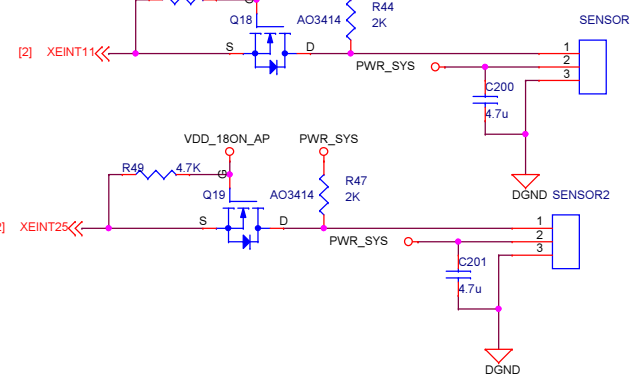
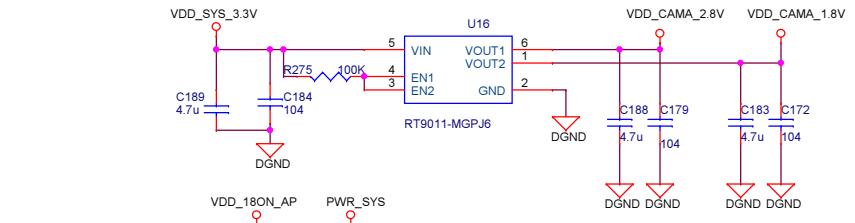
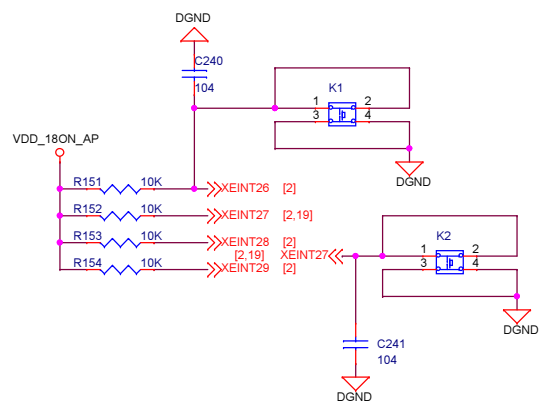
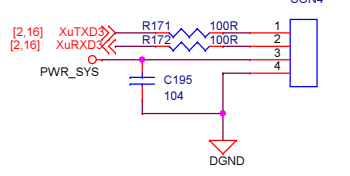
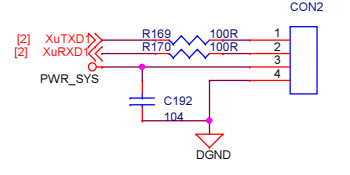
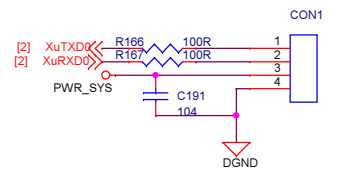
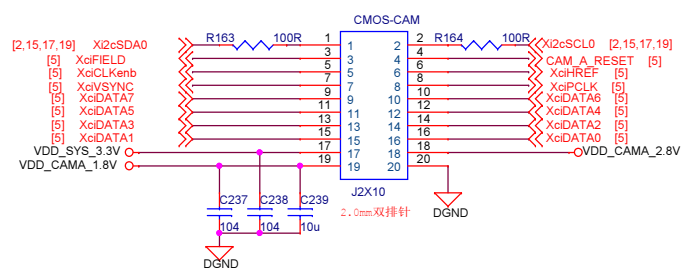
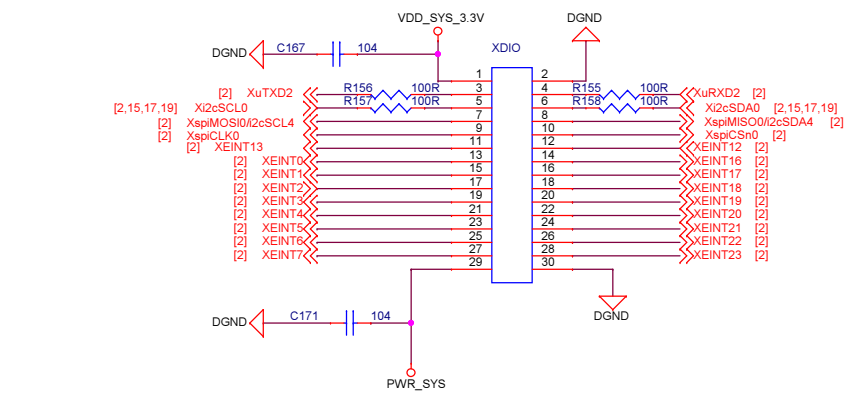
Title		
nano-pc		
Size	Document Number	Rev
A3	<Doc>	<RevCod
Date:	Thursday, January 02, 2014	Sheet 17 of 20

### LCD-Interface



[5] XWVD[23:0]

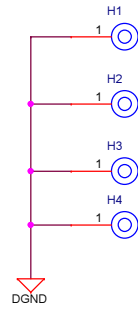
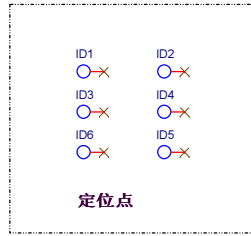




Title		
nano-pc		
Size	Document Number	Rev
A3	<Doc>	<Rev>
Date:	Thursday, January 02, 2014	Sheet 19 of 20

D

D



C

C

B

B

A

A

Title		
nano-pc		
Size	Document Number	Rev
A3	ID Mark/Fixed Hold	
Date:	Thursday, January 02, 2014	Sheet 20 of 20
1		